
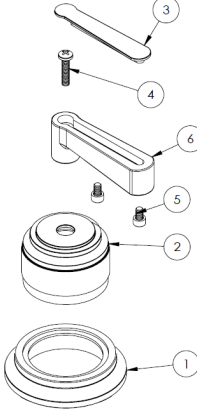


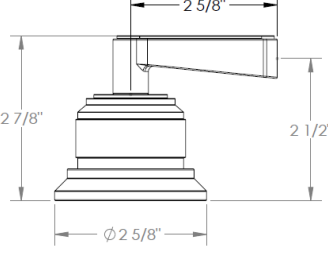
### HANDLE TRIMS

**TR14**




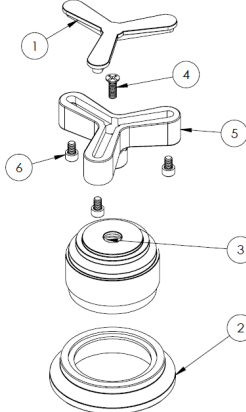


ITEM NO.	PART NUMBER	QTY.
1	TR14-ESC-RING	1
2	TR14-ESC	1
3	TR14-LVR-CAP	1
4	CR-PHMS 0.164-32x0.75x0.75-S	1
5	HX-SHCS 0.164-32x0.25x0.25-S	2
6	TR14-LVR-BTTM	1

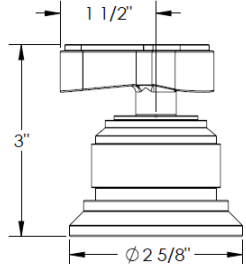


**TR15**





ITEM NO.	PART NUMBER	QTY.
1	TR15-CRSS-HNDL-CAP	1
2	TR14-ESC-RING	1
3	TR14-ESC	1
4	CR-FHMS 0.164-32x0.5x0.5-S	1
5	TR15-CRSS-HNDL-BTTM_R1	1
6	HX-SHCS 0.164-32x0.25x0.25-S	3



### Specification from Finished Wall to Tip of Broach Stem

HANDLE TRIM #	MEASUREMENT (IN.)
TR14	2 5/8"
TR15	2 3/8"

Note: When fitting handle it may be necessary to shorten broach stem and/or threaded nipple to eliminate gap between handle and escutcheon

#### IMPORTANT INSTALLATION INFORMATION

- USE TEFLON TAPE OR PIPE SEALANT FOR THREADED CONNECTIONS
- DO NOT USE PLUMBER'S PUTTY ON ANY OF THE BRASS COMPONENTS  
This will cause the finish to tarnish and void the warranty. A non-corrosive Alkoxy Silicone is recommended.
- DURING SWEATING OF LINES DO NOT OVERHEAT CASTING  
Overheating may cause damage to internal mechanism
- COPPER ADAPTORS MAY BE REQUIRED TO COMPLETE YOUR INSTALLATION

**For technical support, please call 718-257-2800**