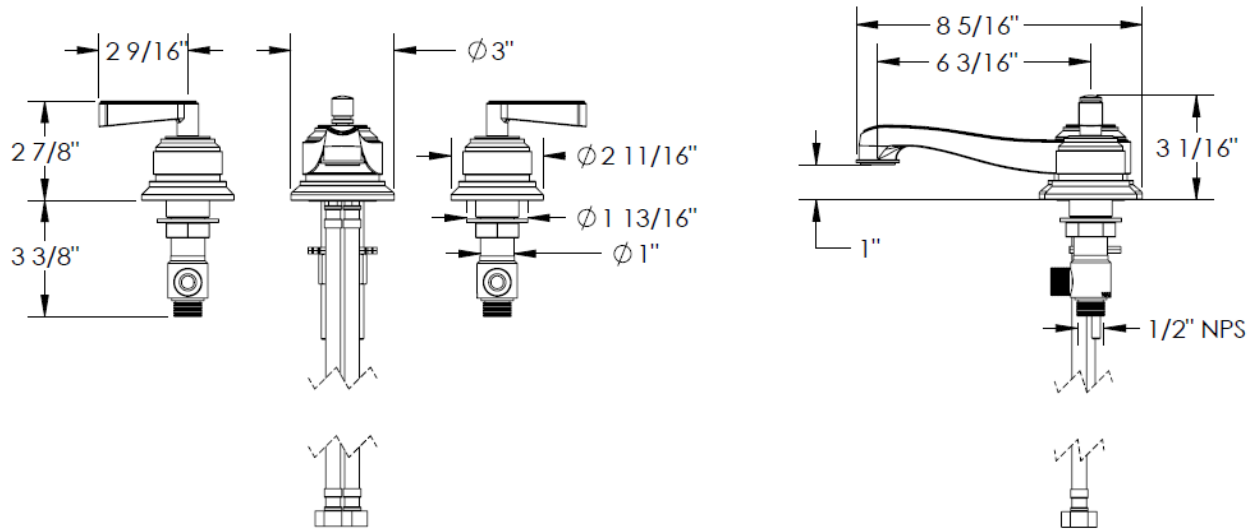


### FEATURES

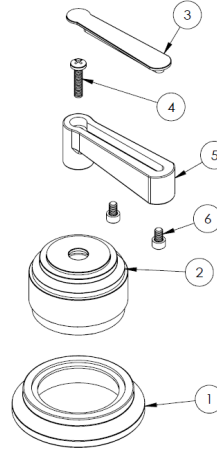
- ¼ turn washerless ceramic disc valve cartridges
- Flexible hose connection for 8" to 16" spread installations
- Flow rate 1.2 gpm (4.5 lpm) maximum flow rate
- Solid brass construction
- Listed by IAPMO, CSA, NSF, and other municipalities
- Warranty:
  - Limited lifetime warranty (residential use)
  - One year (commercial use)
- Shipping weight (lbs.) 10
- Shipping dimensions (in.): 29x12x4



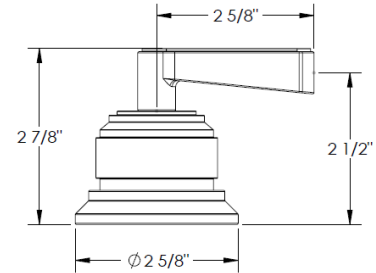
ITEM NO.	PART NUMBER	QTY.
1	29-2-SPT	1
2	29-2-BASE-RING	1
4	NEOPERL CACHE JR PCA	1
5	KB-292	1
6	SPPLY-HOSE-0.5-14-NPS	2
7	SPT-MNTNG-KIT-2-WSHR	1
8	SPT-MNTNG-KIT-2-RBBR-WSHR	1
9	SPT-MNTNG-KIT-1-SCRW	2
10	SPT-MNTNG-KIT-1-NUT	2
13	AS568 - 133	1
14	142-LOCK-NUT	2
15H/15C	SS-502 Valve Body	2
16H/16C	SS-502 Cartridge	2
17	L4-TOP-LOCK-NUT	2

### HANDLE TRIMS

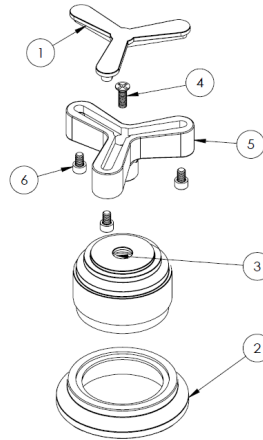
**Code: TR14**



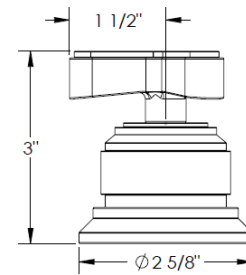
ITEM NO.	PART NUMBER	QTY.
1	TR14-ESC-RING	1
2	TR14-ESC	1
3	TR14-LVR-CAP	1
4	CR-PHMS 0.164-32x0.75x0.75-S	1
5	TR14-LVR-BITM	1
6	HX-SHCS 0.164-32x0.25x0.25-S	2



**Code: TR15**



ITEM NO.	PART NUMBER	QTY.
1	TR15-CRSS-HNDL-CAP	1
2	TR14-ESC-RING	1
3	TR14-ESC	1
4	CR-FHMS 0.164-32x0.5x0.5-S	1
5	TR15-CRSS-HNDL-BTM_R1	1
6	HX-SHCS 0.164-32x0.25x0.25-S	3



#### IMPORTANT INSTALLATION INFORMATION

- USE TEFLON TAPE OR PIPE SEALANT FOR THREADED CONNECTIONS
- DO NOT USE PLUMBER'S PUTTY ON ANY OF THE BRASS COMPONENTS  
This will cause the finish to tarnish and void the warranty. A non-corrosive Alkoxy Silicone is recommended.
- DURING SWEATING OF LINES DO NOT OVERHEAT CASTING  
Overheating may cause damage to internal mechanism
- COPPER ADAPTORS MAY BE REQUIRED TO COMPLETE YOUR INSTALLATION

**For technical support, please call 718-257-2800**

Rev. 1/1