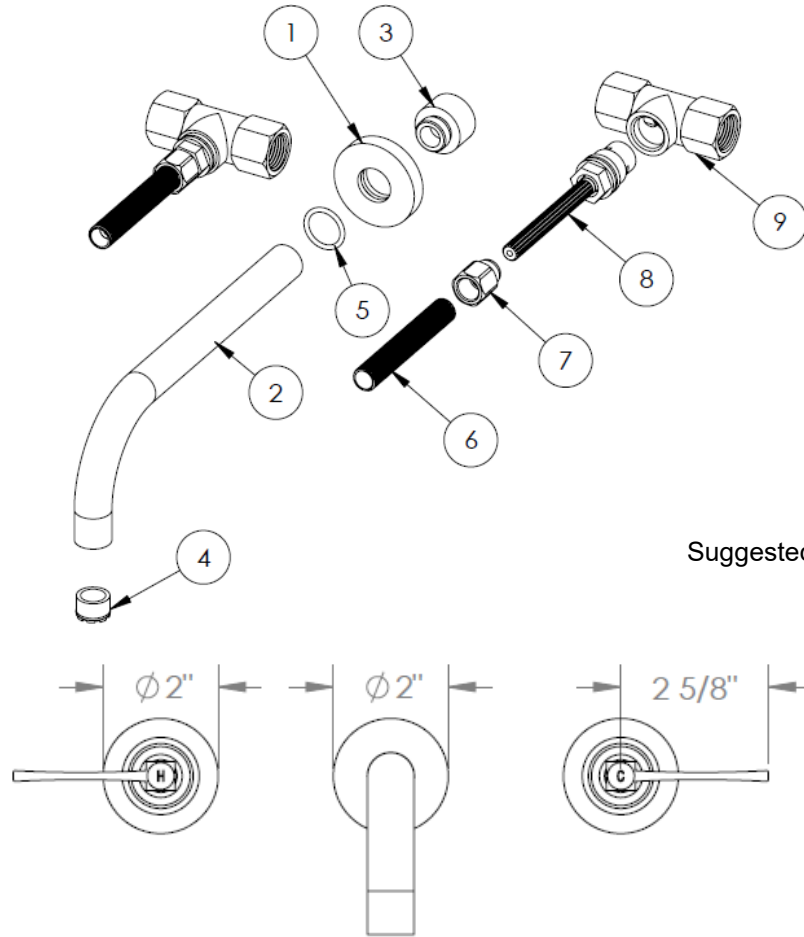


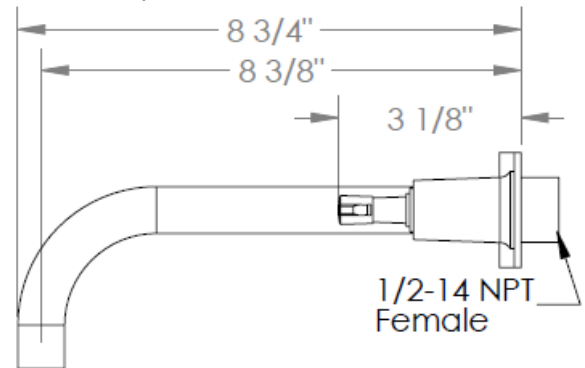
### FEATURES

- ¼ turn washerless ceramic disc valve cartridges
- Flow rate 1.2 gpm (4.5 lpm) maximum flow rate
- Solid brass construction (Lead free brass spout)
- Warranty:
  - Limited lifetime warranty (residential use)
  - One year (commercial use)

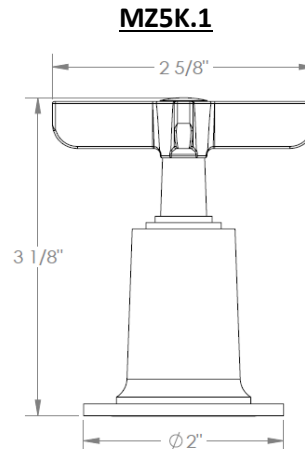
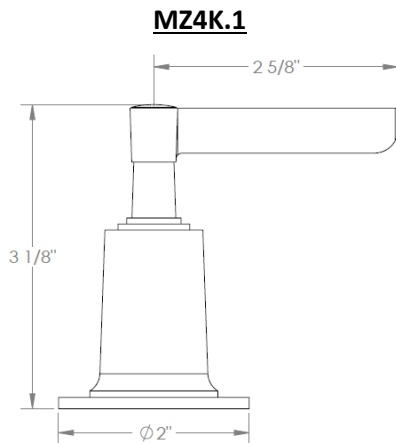


ITEM NO.	PART NUMBER	QTY.
1	ORW-2.2-SPT-BASE	1
2	22-2.2-UK-SPT	1
3	22-2.2-SPT-ADAP	1
4	Cache PCA TJ - 1.5 GPM Neoperl 43.2256.010	1
5	AS568 - 117	1
6	SS-TS200-NPPL	2
7	SS-TS150-PKNG-NUT	2
8	CRT503 Cold/Hot	2
9	SS-TS200 BODY	2

Suggested distance from tip of valve stem to finish wall is 2-3/8".

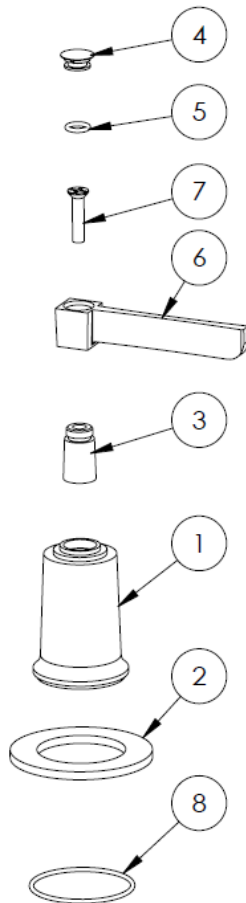


### Handle Trims



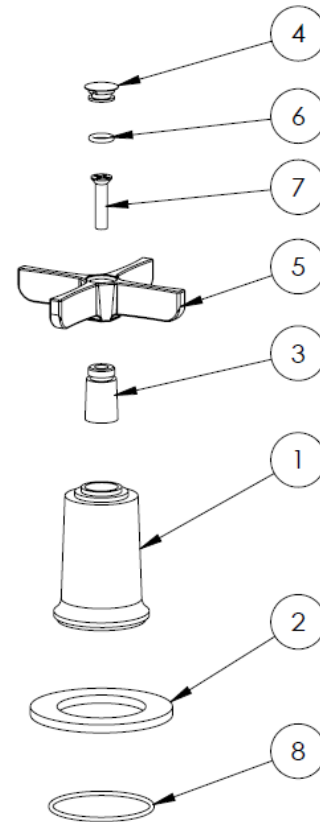
### Handle Trim Code: MZ4K.1

ITEM NO.	PART NUMBER	QTY.
1	MZ4-ESC	1
2	MZ4-ESC-RING CROSBY rev2	1
3	MZ4-STEM	1
4	MZ4-POST-CAP	1
5	AS568 - 10	1
6	MZ4-POST	1
7	CR-FHMS 0.164-32x0.75x0.75-C	1
8	AS568 - 028	1



### Handle Trim Code: MZ5K.1

ITEM NO.	PART NUMBER	QTY.
1	MZ4-ESC	1
2	MZ4-ESC-RING CROSBY rev2	1
3	MZ4-STEM	1
4	MZ4-POST-CAP	1
5	MZ5-CRSS-HNDL	1
6	AS568 - 10	1
7	CR-FHMS 0.164-32x0.75x0.75-C	1
8	AS568 - 028	1



#### **IMPORTANT INSTALLATION INFORMATION**

- USE TEFLON TAPE OR PIPE SEALANT FOR THREADED CONNECTIONS.
- DO NOT USE PLUMBER'S PUTTY ON ANY OF THE BRASS COMPONENTS  
This will cause the finish to tarnish and void the warranty. A non-corrosive Alkoxy Silicone is recommended.
- DURING SWEATING OF LINES DO NOT OVERHEAT CASTING.  
Overheating may cause damage to internal mechanism.
- COPPER ADAPTERS MAY BE REQUIRED TO COMPLETE YOUR INSTALLATION.

**For technical support, please call 888-401-1900.**