
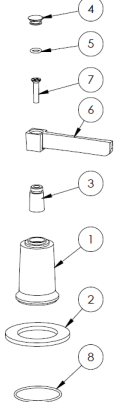
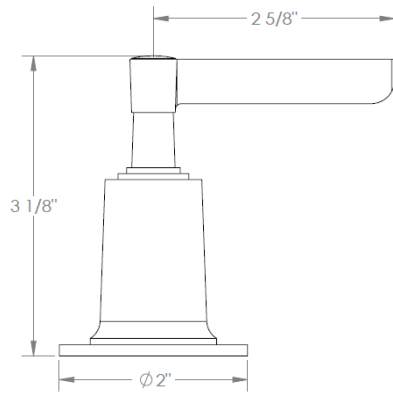


HANDLE TRIMS

MZ4.1K

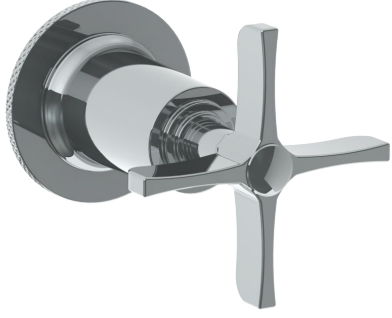


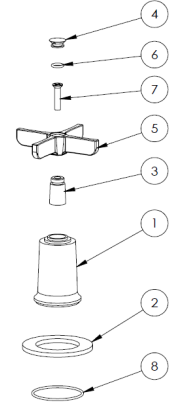


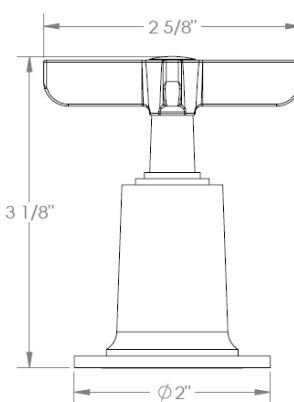


ITEM NO.	PART NUMBER	QTY.
1	MZ4-ESC	1
2	MZ4-ESC-RING CROSBY rev2	1
3	MZ4-STEM	1
4	MZ4-POST-CAP	1
5	AS568 - 10	1
6	MZ4-POST	1
7	CR-FHMS 0.164-32x0.75x0.75-C	1
8	AS568 - 028	1

MZ5.1K







ITEM NO.	PART NUMBER	QTY.
1	MZ4-ESC	1
2	MZ4-ESC-RING CROSBY rev2	1
3	MZ4-STEM	1
4	MZ4-POST-CAP	1
5	MZ5-CRSS-HNDL	1
6	AS568 - 10	1
7	CR-FHMS 0.164-32x0.75x0.75-C	1
8	AS568 - 028	1

Specification from Finished Wall to Tip of Broach Stem

HANDLE TRIM #	MEASUREMENT (IN.)
MZ4.1K/MZ5.1K	2 3/8"

Note: When fitting handle it may be necessary to shorten broach stem and/or threaded nipple to eliminate gap between handle and escutcheon

IMPORTANT INSTALLATION INFORMATION

- USE TEFLON TAPE OR PIPE SEALANT FOR THREADED CONNECTIONS
- DO NOT USE PLUMBER'S PUTTY ON ANY OF THE BRASS COMPONENTS
This will cause the finish to tarnish and void the warranty. A non-corrosive Alkoxy Silicone is recommended.
- DURING SWEATING OF LINES DO NOT OVERHEAT CASTING
Overheating may cause damage to internal mechanism
- COPPER ADAPTORS MAY BE REQUIRED TO COMPLETE YOUR INSTALLATION

For technical support, please call 718-257-2800