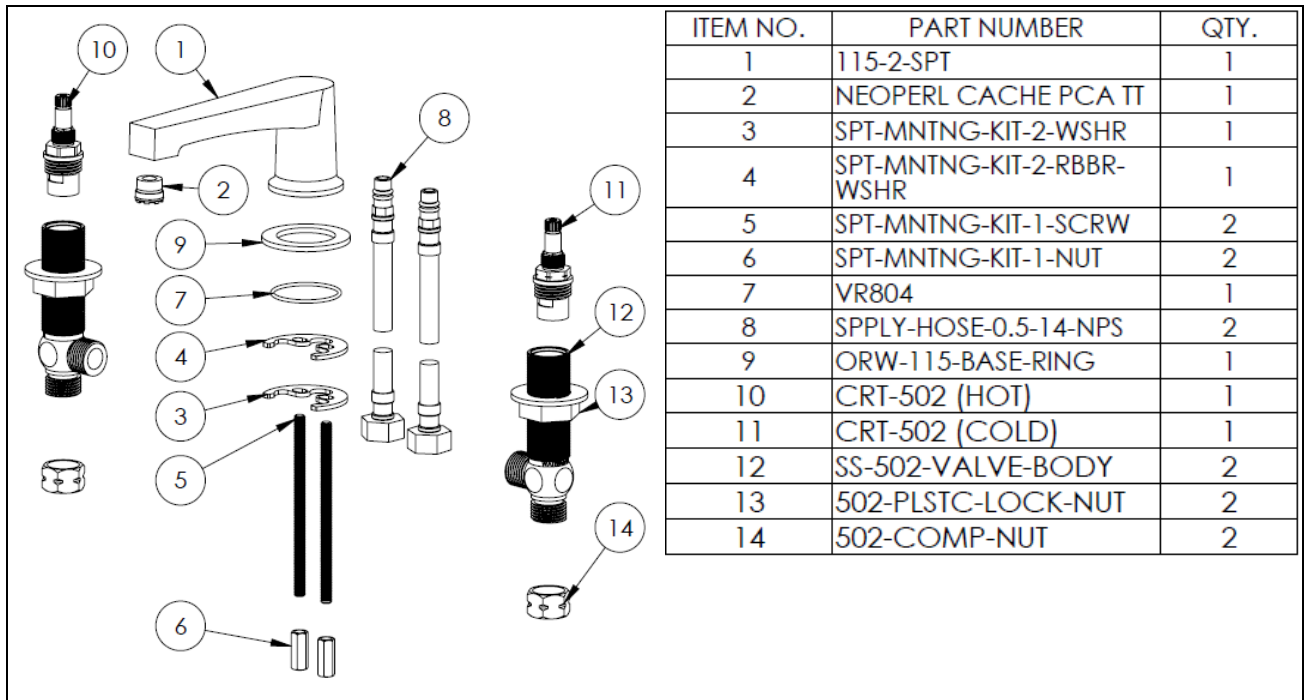
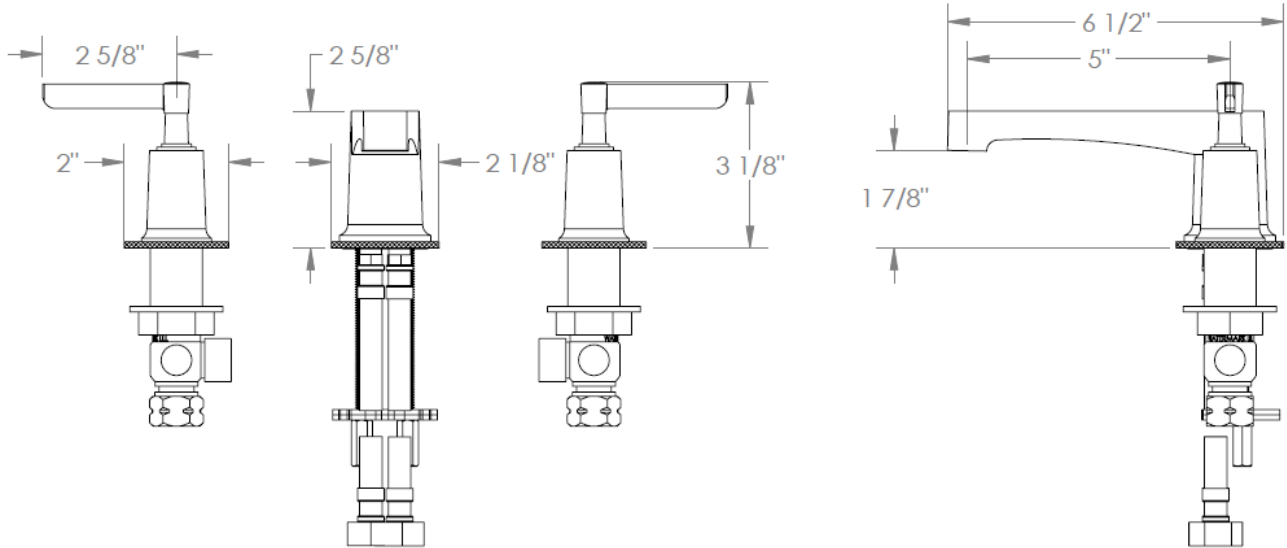


FEATURES

- ¼ turn washerless ceramic disc valve cartridges
- Flexible hose connection for 8" to 16" spread installations
- Flow rate 1.25gpm (4.7lpm) maximum flow rate
- Solid brass construction
- Warranty:
 - Limited lifetime warranty (residential use)
 - One year (commercial use)
- Shipping weight (lbs.) 10
- Shipping dimensions (in.): 29x12x4



HANDLE TRIM

CODE: MZ4.1K		ITEM NO.	PART NUMBER	QTY.
	1	MZ4-ESC	1	
	2	MZ4-ESC-RING CROSBY rev2	1	
	3	MZ4-STEM	1	
	4	MZ4-POST-CAP	1	
	5	AS568 - 10	1	
	6	MZ4-POST	1	
	7	CR-FHMS 0.164-32x0.75x0.75-C	1	
	8	AS568 - 028	1	

CODE: MZ5.1K		ITEM NO.	PART NUMBER	QTY.
	1	MZ4-ESC	1	
	2	MZ4-ESC-RING CROSBY rev2	1	
	3	MZ4-STEM	1	
	4	MZ4-POST-CAP	1	
	5	MZ5-CRSS-HNDL	1	
	6	AS568 - 10	1	
	7	CR-FHMS 0.164-32x0.75x0.75-C	1	
	8	AS568 - 028	1	

IMPORTANT INSTALLATION INFORMATION

- USE TEFLON TAPE OR PIPE SEALANT FOR THREADED CONNECTIONS
- DO NOT USE PLUMBER'S PUTTY ON ANY OF THE BRASS COMPONENTS
This will cause the finish to tarnish and void the warranty. A non-corrosive Alkoxy Silicone is recommended.
- DURING SWEATING OF LINES DO NOT OVERHEAT CASTING
Overheating may cause damage to internal mechanism
- COPPER ADAPTORS MAY BE REQUIRED TO COMPLETE YOUR INSTALLATION

For technical support, please call 888-401-1900