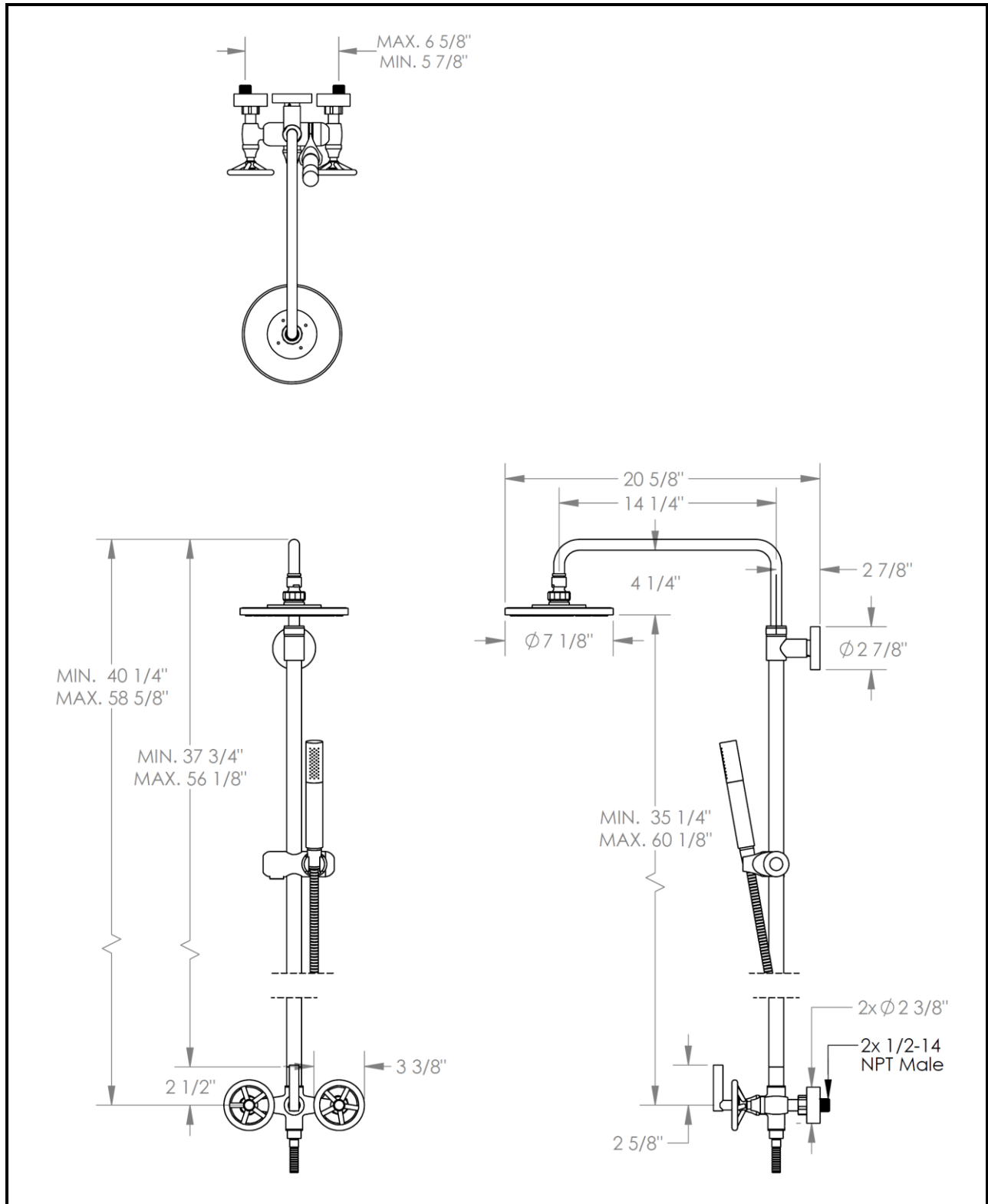
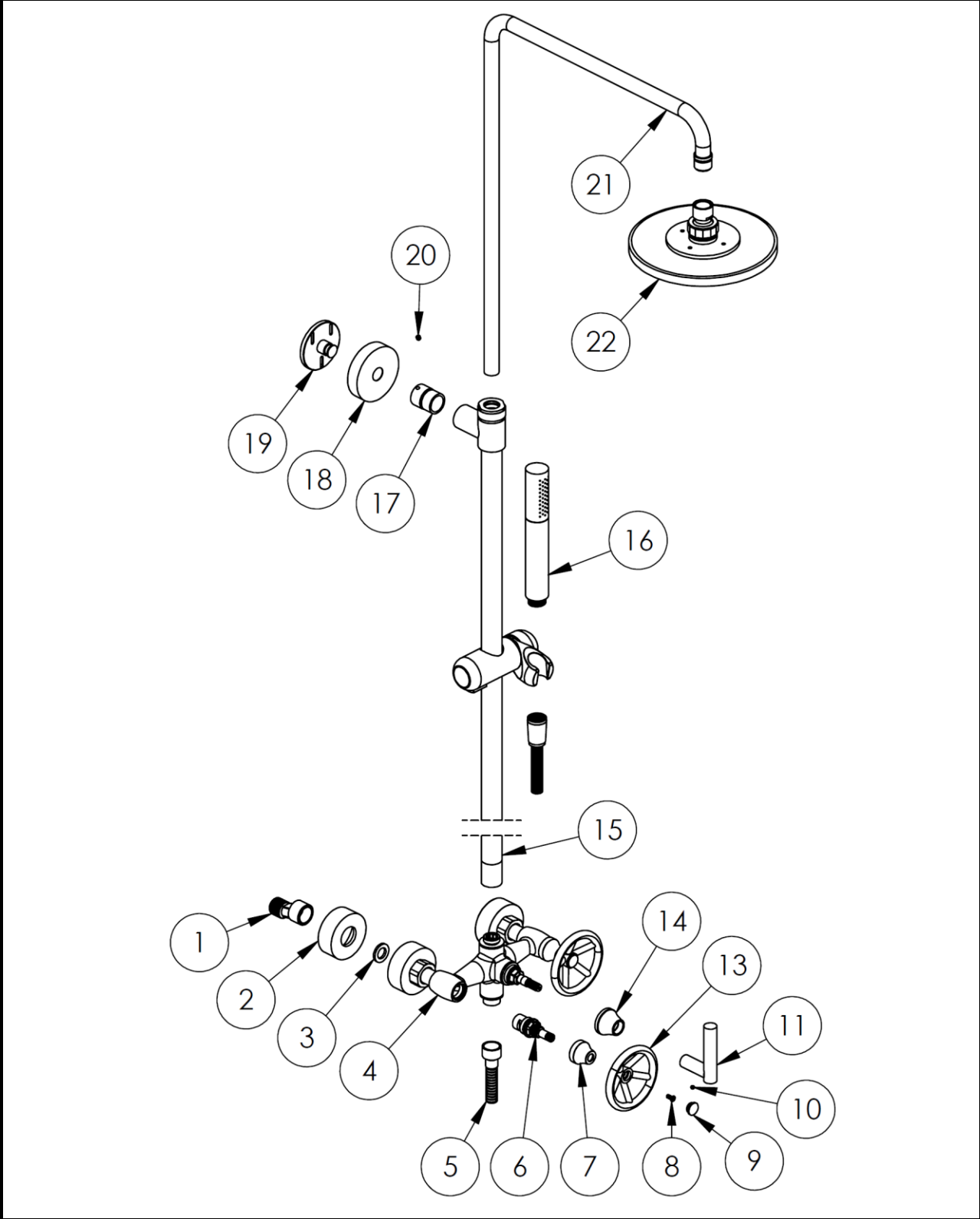


DIMENSIONS



PARTS BREAKDOWN



PARTS BREAKDOWN (CON'D)

ITEM NO.	PART NUMBER	QTY.
1	SS-EX3500-SPPLY-ADAP	2
2	SS-EX3500-FLNG	2
3	24-7.7-GSKT	2
4	31-6.1HS-BODY	1
5	DS-4079 HOSE	1
6	SS-502-CARTRIDGE	2
7	24-7.7-CRT-ESC	2
8	CR-FHM1 0.164-32x0.5x0.5-S	2
9	BK-KNOB-CAP-R2	2
10	B18.3.6M - M5x0.8x 6 HEX SOCKET TYPE I CUP PT. SS--N	3
11	CL14-LVR	1
13	BK-KNOB	2
14	31-6.1HS-DIV-CRT-ESC	1
15	SS-EX3500-RSR-BTTM	1
16	SH-TIT30	1
17	SS-EX3500-RSR-SEAT-THRD-INSRT	1
18	SS-EX3500-RSR-SEAT-FLNG	1
19	SS-EX3500-RSR-SEAT-MNT	1
20	B18.3.6M - M5 x 0.8 x 5 Hex Socket Type I Cup Pt. SS--N	1
21	SS-EX3500-RSR-TOP	1
22	SH-TIT50	1

INSTALLATION INSTRUCTIONS

ATTENTION

1. The cartridges in the main body have been tested and adjusted by the factory. DO NOT take the cartridges apart.
2. Ensure to clean water supply pipe before installation to avoid clogging.

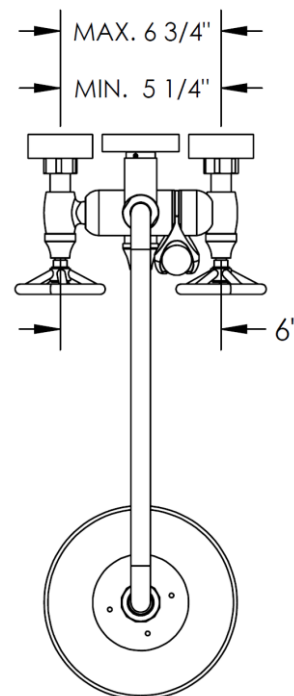
TO KEEP THE QUALITY OF THE FAUCET PLEASE FOLLOW THESE INSTRUCTIONS

- Avoid contact with newly applied paint, thinner or other harsh solvents.
- To clean, wipe your faucet with a soft cloth dampened with mild soapy water or a citrus based furniture polish. For chrome and nickel finishes, a chrome cleaner can also be used every few weeks.
- Do not use any harsh chemical cleaners or any product with ammonia.
- Avoid contact with cosmetic products, such as shaving cream, nail polish removers, or colognes.
- It is important that you keep your hardware dry. Elements in water remaining on the faucet can break down the finish. Pay special attention to area where water can settle such as the mouth of the spout and around the base of the handles.

STEP (1)

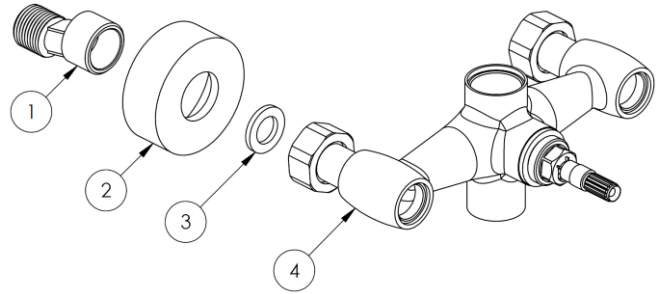
Choose desired position to install the mixer body, note the center to center distance of the in-wall supply connection should fall in the range between 5 1/4" and 6 3/4"

Note: It is recommended that the in-wall supply adapter be set back from the finished wall, and this distance should fall within a range of $\pm 1/8$ ".



STEP (2)

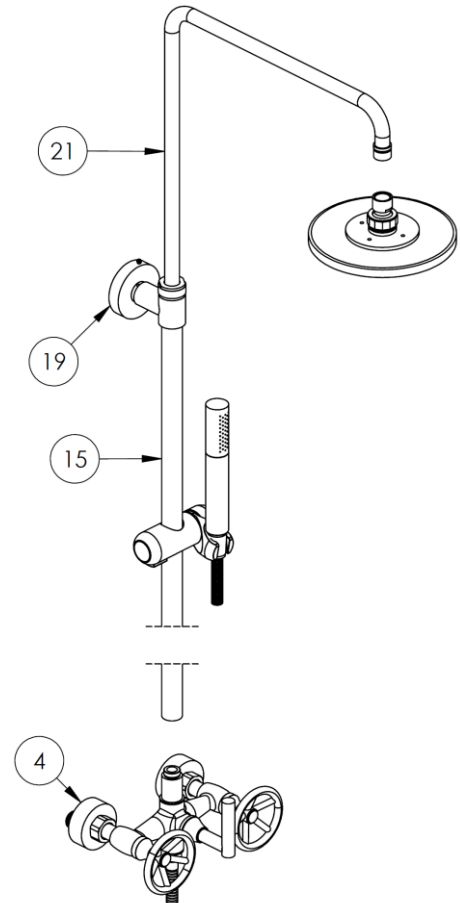
Thread the flange (2) through the supply adapter (1) until flush with the finished wall. Next, attach the gasket (3) to the nut located on the end of the mixer body (4), and tighten the nut over the flange (2).



STEP (3)

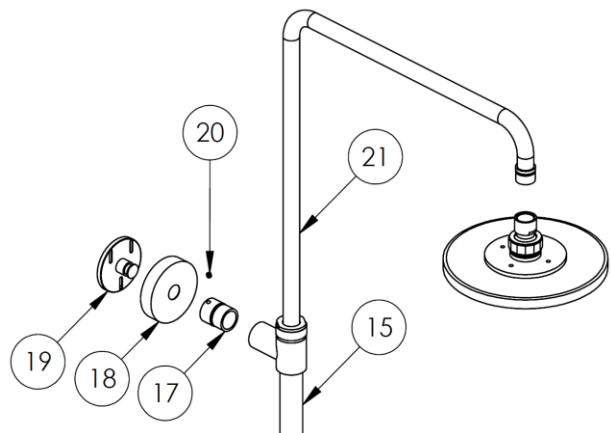
Choose desired height of the shower/rain head (22), and then align the riser bottom (15) with the mixer body (4) to mark the location to install the riser seat mount (19). Next, thread the riser bottom (15) to the mixer body (4).

With the location of the riser seat mount (19) determined and the riser bottom (15) firmly connected to the mixer body (4), drill a hole in the wall for the wall anchor and screw, and attach the riser seat mount (19) to the screw.



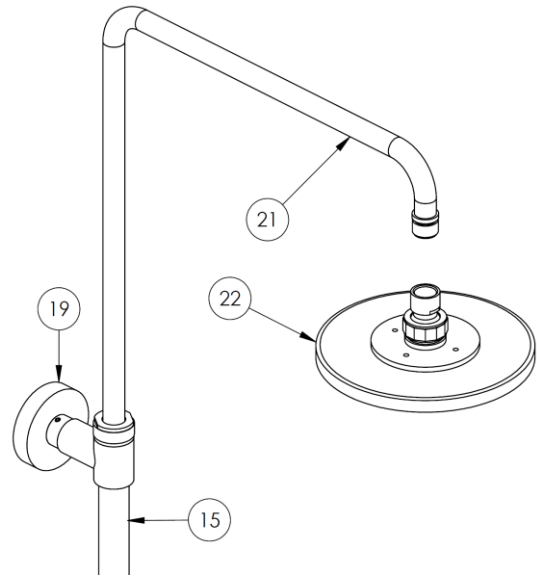
STEP (4)

Based on the diagram below, assemble the rest of the riser mount components (17), (18) and (20) with the riser mount (19), and connect the finished assembly to the riser bottom (15).



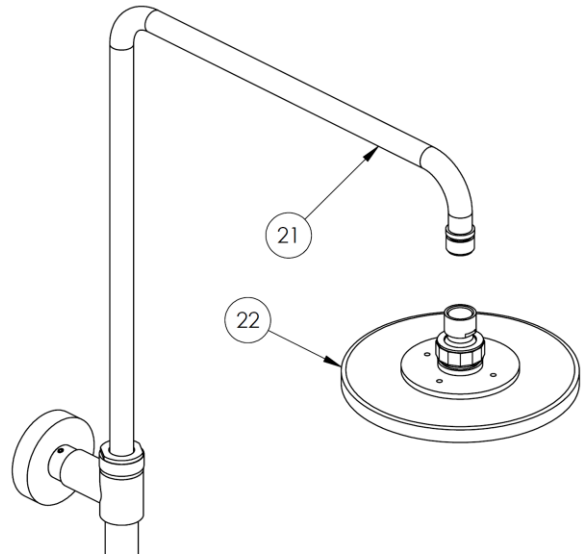
STEP (5)

After selecting the desired height for the shower/rain head (22) as well as installing riser mount components (17), (18), (19) and (20), connect the riser top (21) to the riser bottom (15). Check to make sure the riser top (21) is firmly in place and the entire system is stable. Next, adjust the height of the top riser (21) and tighten the nut located on the bottom riser (15).



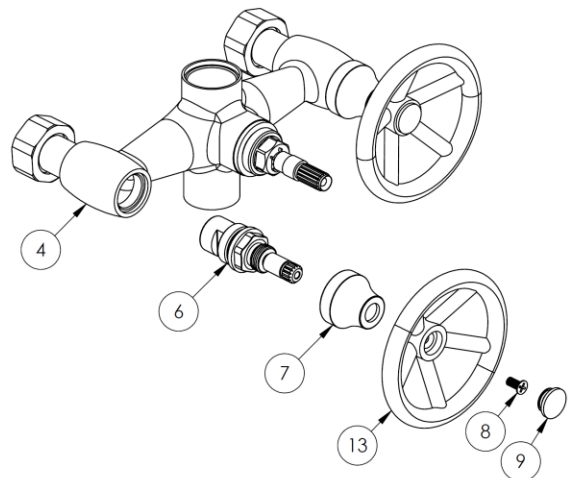
STEP (6)

Install shower/rain head (22) into the riser top (21) using a crescent wrench or fitting wrench. Verify the stability of the entire system and check for any leaks prior to use.



Cartridge Installation

Thread the SS-502 cartridge (6) into the mixer body (4), then fit the cartridge escutcheon (7) through the SS-502 cartridge (6) in order to thread it onto the mixer body (4). Next, mount the Brooklyn handle knob (13) to the protruding end of the SS-502 cartridge (6), and fix the Brooklyn handle knob (13) in place with the flat-head machine screw (8). Finally, place the Brooklyn handle knob cap (9) over the head of the machine screw (8) to finish the assembly.



IMPORTANT INSTALLATION INFORMATION

- USE TEFLON TAPE OR PIPE SEALANT FOR THREADED CONNECTIONS
- DO NOT USE PLUMBER'S PUTTY ON ANY OF THE BRASS COMPONENTS
This will cause the finish to tarnish and void the warranty. A non-corrosive Alkoxy Silicone is recommended.
- DURING SWEATING OF LINES DO NOT OVERHEAT CASTING
Overheating may cause damage to internal mechanism
- COPPER ADAPTORS MAY BE REQUIRED TO COMPLETE YOUR INSTALLATION

For technical support, please call 718-257-2800