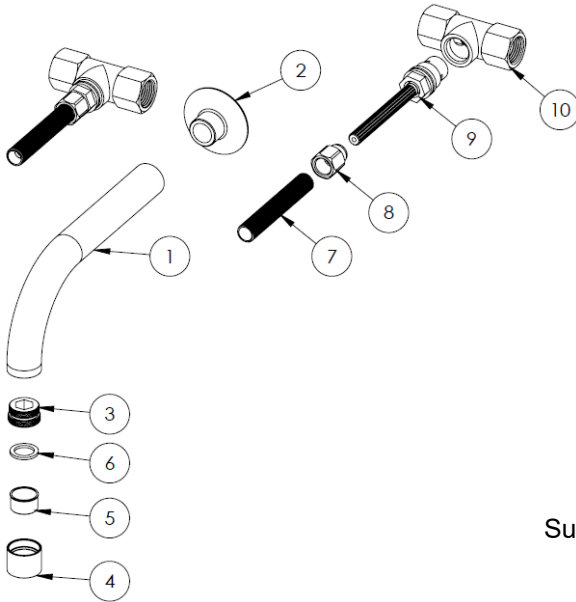


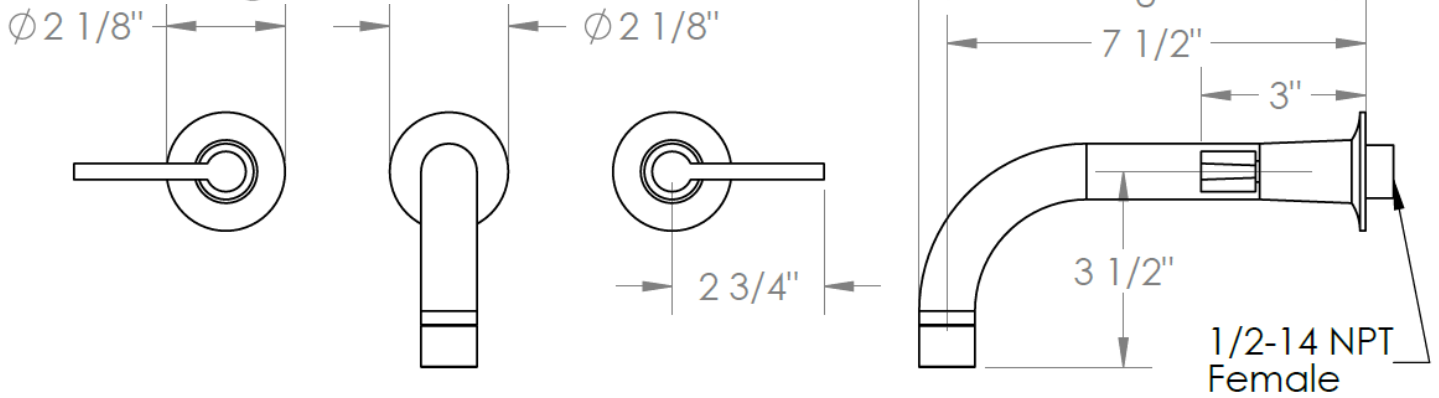
### FEATURES

- ¼ turn washerless ceramic disc valve cartridges
- Flow rate 1.2 gpm (4.5 lpm) maximum flow rate
- Solid brass construction (Lead free brass spout)
- Warranty:
  - Limited lifetime warranty (residential use)
  - One year (commercial use)



ITEM NO.	PART NUMBER	QTY.
1	TBSPT-22-SPT	1
2	34-2.2-SPT-BASE	1
3	TBSPT-24-AERTR-ADAP	1
4	TBSPT-24-AERTR-SHLL-FR	1
5	NEOPERL PCA PL STD	1
6	BW.7134.1 (.825 x .590 x .072) [STD]	1
7	SS-TS200-NPPL	2
8	SS-TS150-PKNG-NUT	2
9	CRT503 Cold/Hot	2
10	SS-TS200 BODY	2

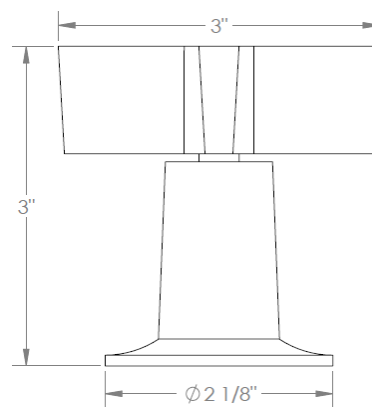
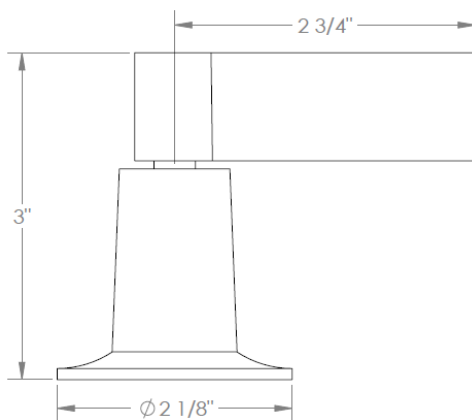
Suggested distance from tip of valve stem to finish wall is 1-3/8".



**DD2**

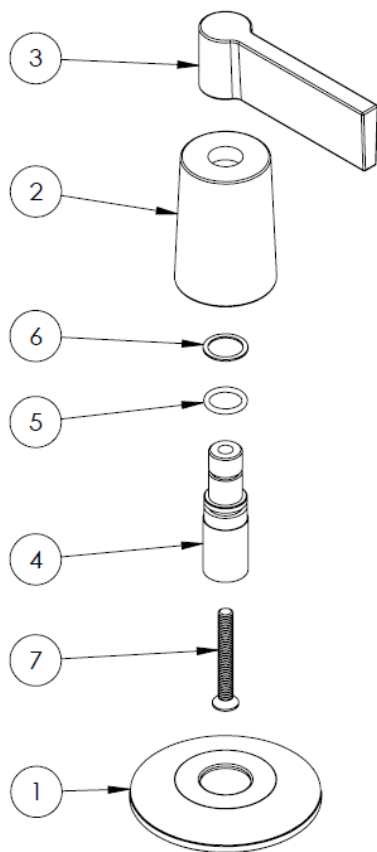
**Handle Trims**

**DD3**



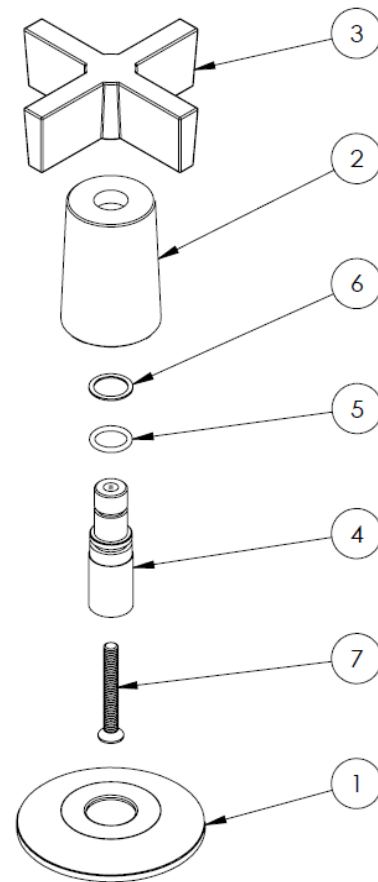
### Handle Trim Code: DD2

ITEM NO.	PART NUMBER	QTY.
1	DD2-ESC-RING	1
2	DD2-ESC	1
3	SL-LVR	1
4	TR24-STEM	1
5	AS568 - 012	1
6	.497x.391x.02-PLSTC-WSHR	1
7	CR-FHMS 0.164-32x1.25x1.25-S	1



### Handle Trim Code: DD3

ITEM NO.	PART NUMBER	QTY.
1	DD2-ESC-RING	1
2	DD2-ESC	1
3	SX-CRSS-HNDL	1
4	TR24-STEM	1
5	AS568 - 012	1
6	.497x.391x.02-PLSTC-WSHR	1
7	CR-FHMS 0.164-32x1.25x1.25-S	1



#### **IMPORTANT INSTALLATION INFORMATION**

- USE TEFLON TAPE OR PIPE SEALANT FOR THREADED CONNECTIONS.
- DO NOT USE PLUMBER'S PUTTY ON ANY OF THE BRASS COMPONENTS  
This will cause the finish to tarnish and void the warranty. A non-corrosive Alkoxy Silicone is recommended.
- DURING SWEATING OF LINES DO NOT OVERHEAT CASTING.  
Overheating may cause damage to internal mechanism.
- COPPER ADAPTERS MAY BE REQUIRED TO COMPLETE YOUR INSTALLATION.

**For technical support, please call 888-401-1900.**