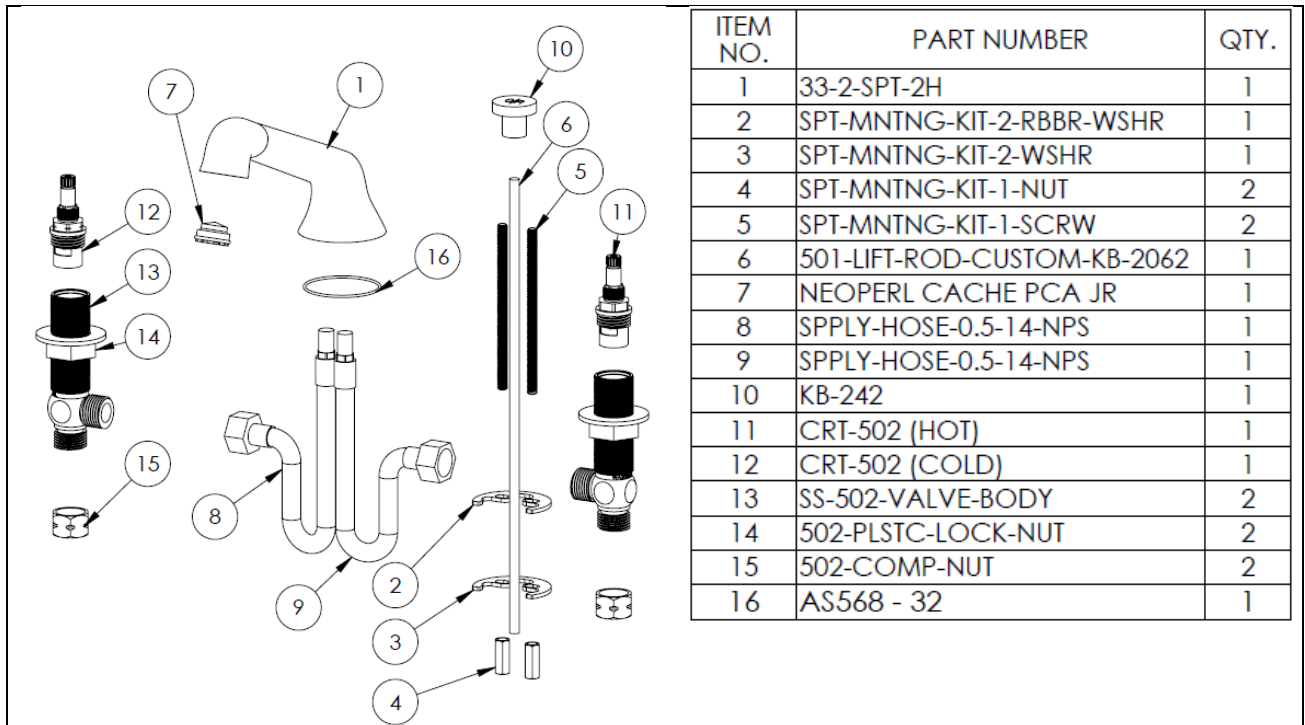
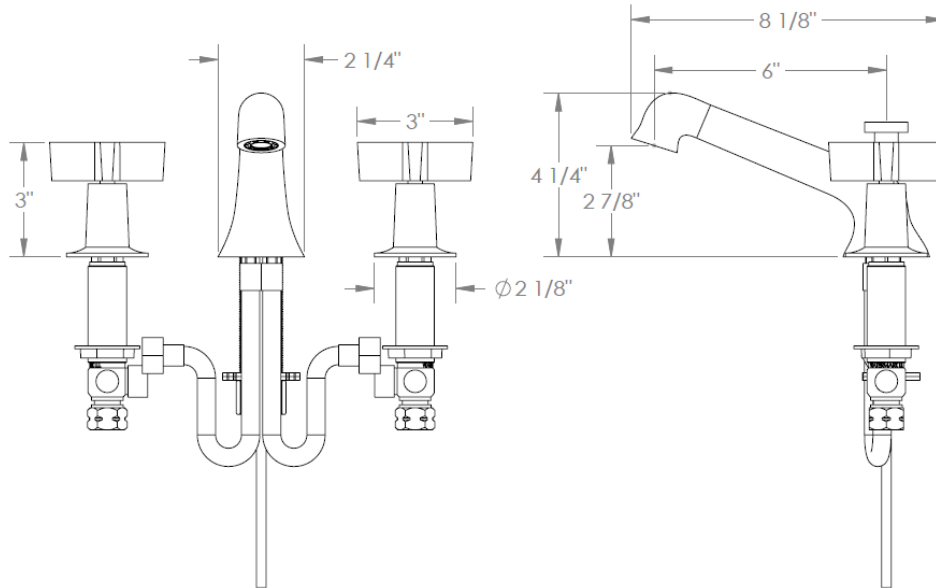


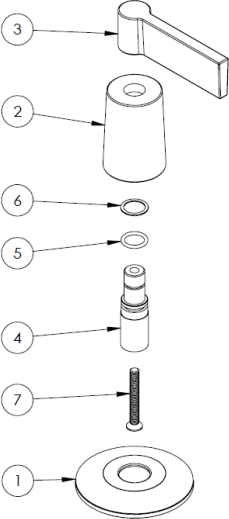
FEATURES

- ¼ turn washerless ceramic disc valve cartridges
- Flexible hose connection for 8" to 16" spread installations
- Flow rate 1.25gpm (4.7lpm) maximum flow rate
- Solid brass construction
- Warranty:
 - Limited lifetime warranty (residential use)
 - One year (commercial use)
- Shipping weight (lbs.) 10
- Shipping dimensions (in.): 29x12x4



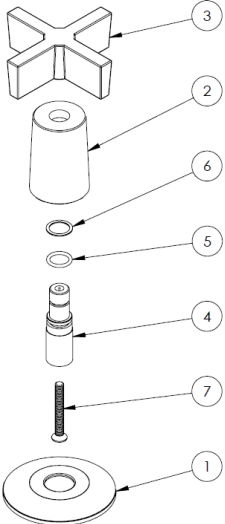
HANDLE TRIM

CODE: DD2



ITEM NO.	PART NUMBER	QTY.
1	DD2-ESC-RING	1
2	DD2-ESC	1
3	SL-LVR	1
4	TR24-STEM	1
5	AS568 - 012	1
6	.497x.391x.02-PLSTC-WSHR	1
7	CR-FHMS 0.164-32x1.25x1.25-S	1

CODE: DD3



ITEM NO.	PART NUMBER	QTY.
1	DD2-ESC-RING	1
2	DD2-ESC	1
3	SX-CRSS-HNDL	1
4	TR24-STEM	1
5	AS568 - 012	1
6	.497x.391x.02-PLSTC-WSHR	1
7	CR-FHMS 0.164-32x1.25x1.25-S	1

IMPORTANT INSTALLATION INFORMATION

- USE TEFLON TAPE OR PIPE SEALANT FOR THREADED CONNECTIONS
- DO NOT USE PLUMBER'S PUTTY ON ANY OF THE BRASS COMPONENTS
This will cause the finish to tarnish and void the warranty. A non-corrosive Alkoxy Silicone is recommended.
- DURING SWEATING OF LINES DO NOT OVERHEAT CASTING
Overheating may cause damage to internal mechanism
- COPPER ADAPTORS MAY BE REQUIRED TO COMPLETE YOUR INSTALLATION

For technical support, please call 888-401-1900