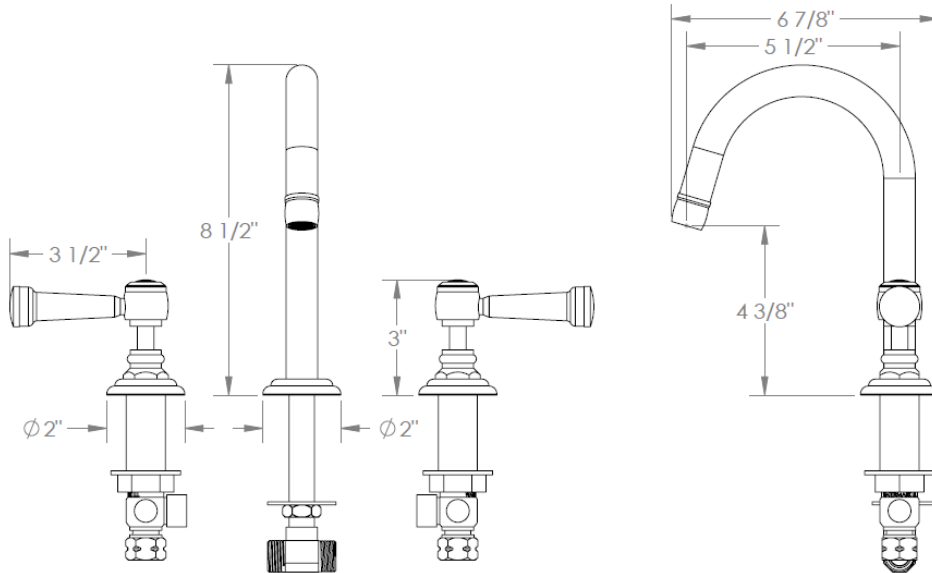


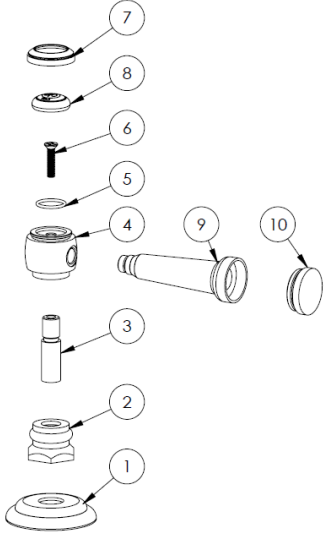
### FEATURES

- ¼ turn washerless ceramic disc valve cartridges
- Flexible hose connection for 8" to 16" spread installations
- Flow rate 1.2gpm (4.7lpm) maximum flow rate
- Solid brass construction
- Warranty:
  - Limited lifetime warranty (residential use)
  - One year (commercial use)
- Shipping weight (lbs.) 10
- Shipping dimensions (in.): 29x12x4

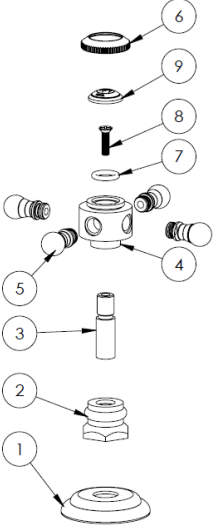


ITEM NO.	PART NUMBER	QTY.
1	27-2-SPT	1
2	MORGAN-AERTR-SHLL	1
3	1.2GPM PCA PERLATOR JR (Neoperl # 42.3060.000)	1
4	30-2-AERTR-ADAP	1
5	BW.7476.1 (.728 x .480 x .125) [JR]	1
6	142-LOCK-NUT	1
7	142-TEE-GSKT	1
8	142-TEE	1
9	142-HRS-SHOE-WSHR	1
10	142-NPPL	1
11	Morgan-SPT-ESC	1
12	CRT-502 (HOT)	1
13	CRT-502 (COLD)	1
14	SS-502-VALVE-BODY	2
15	502-PLSTC-LOCK-NUT	2
16	502-COMP-NUT	2
17	502-FLEX-HOSE	2

### HANDLE TRIM

CODE: MR4		ITEM NO.	PART NUMBER	QTY.
	1	S1-ESC	1	
	2	S1-ESC-NUT	1	
	3	S2-STEM	1	
	4	S3-POST	1	
	5	AS568 - 015	1	
	6	CR-FHMS 0.164-32x0.75x0.75-S	1	
	7	ORX-CAP-RING	1	
	8	PRCLN-BUTTON-ORW	1	
	9	S2-LVR	1	
	10	B9M-POST-CAP	1	

CODE: MR5		ITEM NO.	PART NUMBER	QTY.
	1	S1-ESC	1	
	2	S1-ESC-NUT	1	
	3	S2-STEM	1	
	4	X-POST	1	
	5	X-ARM	4	
	6	X-CAP-RING	1	
	7	AS568 - 111	1	
	8	CR-FHMS 0.164-32x0.625x0.625-S	1	
	9	X-PRCLN-INSRT-HOT	1	

#### IMPORTANT INSTALLATION INFORMATION

- USE TEFLON TAPE OR PIPE SEALANT FOR THREADED CONNECTIONS
- DO NOT USE PLUMBER'S PUTTY ON ANY OF THE BRASS COMPONENTS  
This will cause the finish to tarnish and void the warranty. A non-corrosive Alkoxy Silicone is recommended.
- DURING SWEATING OF LINES DO NOT OVERHEAT CASTING  
Overheating may cause damage to internal mechanism
- COPPER ADAPTORS MAY BE REQUIRED TO COMPLETE YOUR INSTALLATION

**For technical support, please call 888-401-1900**