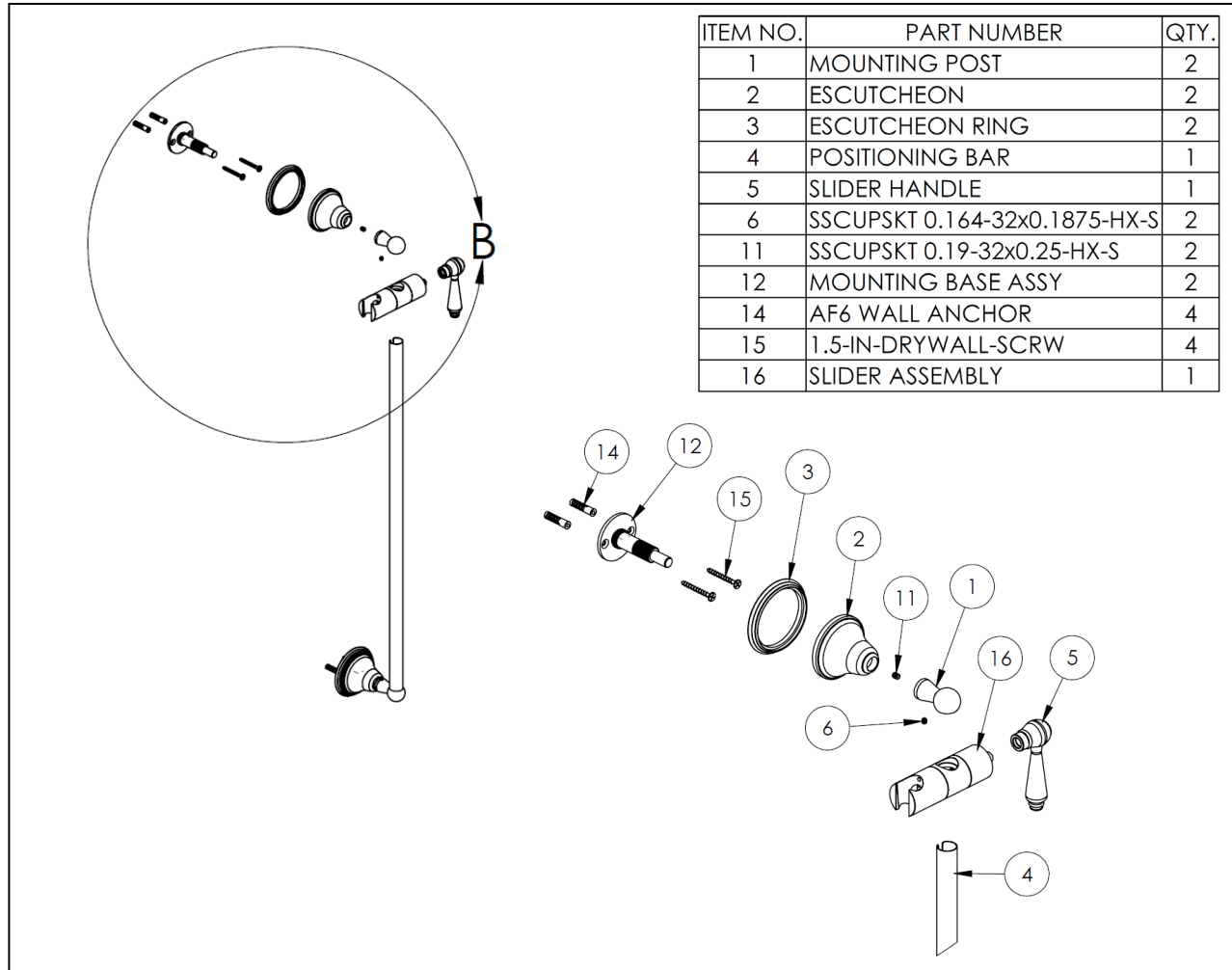


NOTE:

- Use plywood backing in walls whenever possible, to ensure security to wall.
- Be sure that distance between centers of posts is correct before drilling into wall.
- Do all painting, staining or wall papering before accessory installation.

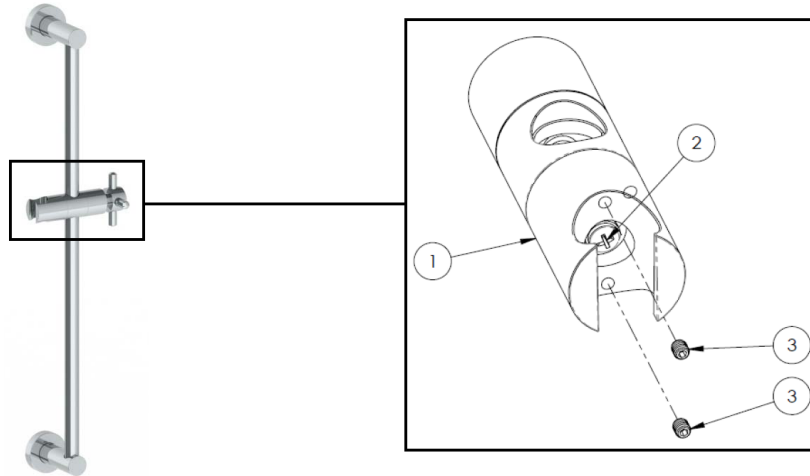


Escutcheon Installation:

1. Determine where on the wall the positioning bar is to be installed.
2. With a pencil, mark the centers of the of the mounting hole positions on the mounting base assembly (12).
3. If using supplied wall anchors (14), drill a ¼" hole at each marked position (1 ¾" min. hole depth).
4. Insert anchors (14) into holes until flush with the wall (a hammer may be needed to lightly tap the anchors flush).
5. Secure mounting base assembly (12) to the wall using supplied drywall screws (15).
6. Proceed to screw escutcheon (2) and ring (3) to the mounting base assembly (12).
7. Screw supplied set screw (11) into the mounting post (1) and positioning bar (4).
 - a. NOTE: Be sure the set screw (11) is screwed into the slot on position bar (4).
8. Insert mounting post (1) on shaft of mounting base assembly (12) and secure with set screw (6).

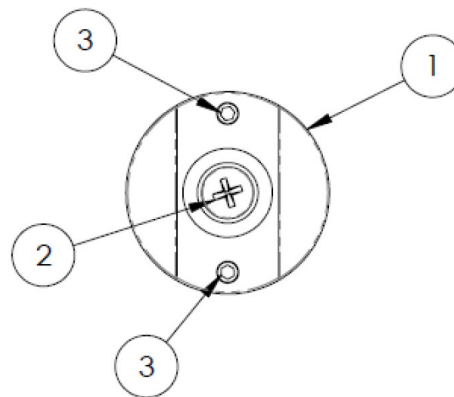
Adjustment of Positioning Bar Slider:

To adjust the stiffness of the positioning bar slider (1), you will need a 5/64" allen wrench. To increase the stiffness of the positioning bar slider (1), turn each set screw (3) CW in ¼ turn increments until the desired stiffness is achieved.



To decrease the stiffness of the positioning bar slider (1), turn each set screw (3) CCW in ¼ turn increments until the desired stiffness is achieved.

It's important that only the set screws (3) are being adjusted to regulate the stiffness of the positioning bar slider. NOTE: The middle support screw (2) should NOT be adjusted or touched during the regulation of stiffness of the positioning bar slider.

**IMPORTANT INSTALLATION INFORMATION**

- DO NOT USE PLUMBER'S PUTTY ON ANY OF THE BRASS COMPONENTS
 - This will cause the finish to tarnish and void the warranty. A non-corrosive Alkoxy Silicone is recommended.

To help ensure the beauty of brass accessories, never install an item until construction is almost completed and after:

- Workmen have finished treating nearby tile or marble with acid or chemicals.
- The air conditioning or heat has been turned on.
- The room has been painted or stained.

For technical support or warranty information, please call 718-257-2800