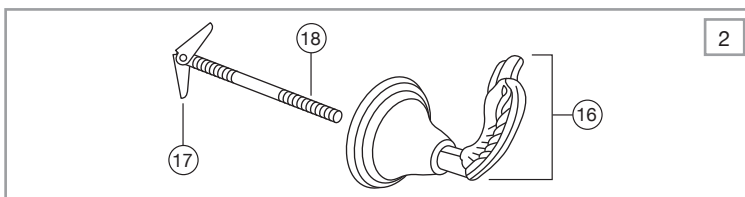
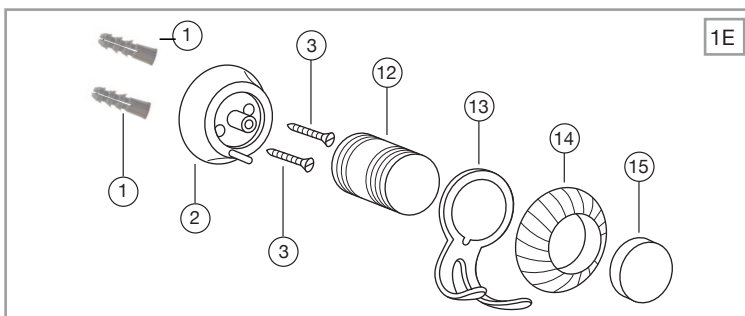
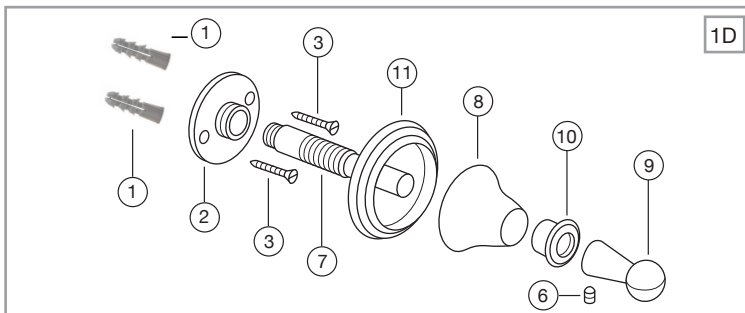
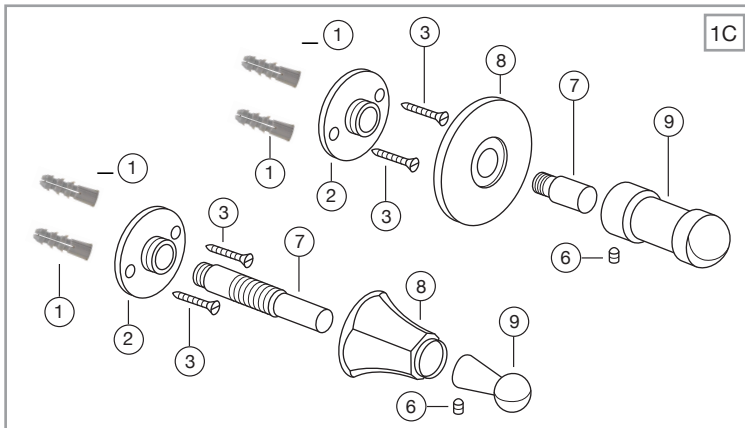
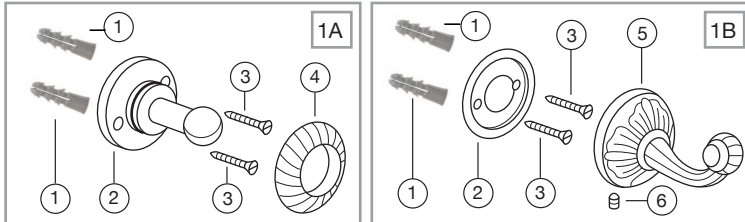


# INSTALLATION FOR BATH ACCESSORIES

## Note:

- Use plywood backing in walls whenever possible, to ensure security to wall.
- When installing towel bars, be sure that distance between center of posts is correct before drilling into wall.
- Do all painting, staining or wall papering before accessory installation.



**Carefully remove all parts from the box. Identify which installation fits your accessory type.**

## Installations 1A-1E.

- 1 Center mounting plate (2) to desired location and mark position for screw holes on the wall.
- 2 If using anchors supplied (1), drill two 5/16" holes at marked positions. Insert anchors into holes until flush with the wall.  
**Note:** On tile surfaces, hollow wall anchors are required (not supplied).
- 3 Secure mounting plate (2) to wall with screws (3).

### Installation 1A.

- 4 Press decorative trim ring (4) over the mounting plate (2).

### Installation 1B.

- 4 Place post (5) over mounting plate (2). Tighten set screw (6) underneath post to secure.

### Installation 1C: Metal Escutcheons.

- 4 Screw mounting shaft (7) to mounting plate (2).
- 5 Proceed to screw escutcheon (8) to mounting shaft.
- 6 Place post (9) onto shaft and tighten with set screw (6).

### Installation 1D: Porcelain Escutcheons.

- 4 Screw escutcheon nut (10) to mounting shaft (7).
- 5 Insert mounting shaft through the escutcheon (8) and the base ring (11), if one exists. Screw mounting shaft to mounting plate.
- 6 Place post (9) onto shaft and tighten with set screw (6).

### Installation 1E.

- 4 Screw threaded tube (12) to mounting plate (2).
- 5 Place accessory bracket (13), then ring (14) over threaded tube.
- 6 Screw cap (15) onto threaded tube.

### Installation 2.

- 1 Center accessory post (16) at desired location and mark position for screw hole.
- 2 Drill 5/16" hole at the marked position.
- 3 Screw the threaded screw (18) into the accessory post.
- 4 Screw toggle (17) onto threaded screw (so that wings close towards accessory post).
- 5 Fold toggle wings and press through the wall, so that wings open inside the wall.
- 6 Proceed to screw accessory post, clockwise, to wall. Apply minimal pulling pressure away from wall to ensure toggle grasps inside wall.

FOR TECHNICAL SUPPORT PLEASE CALL 718-257-2800

REV. 11/20