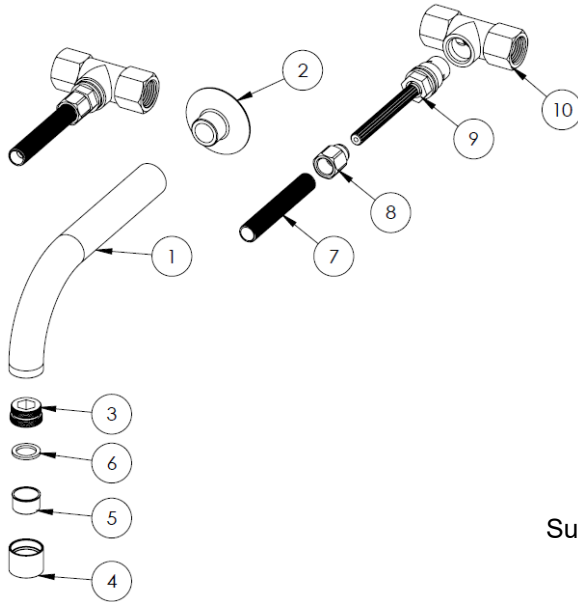


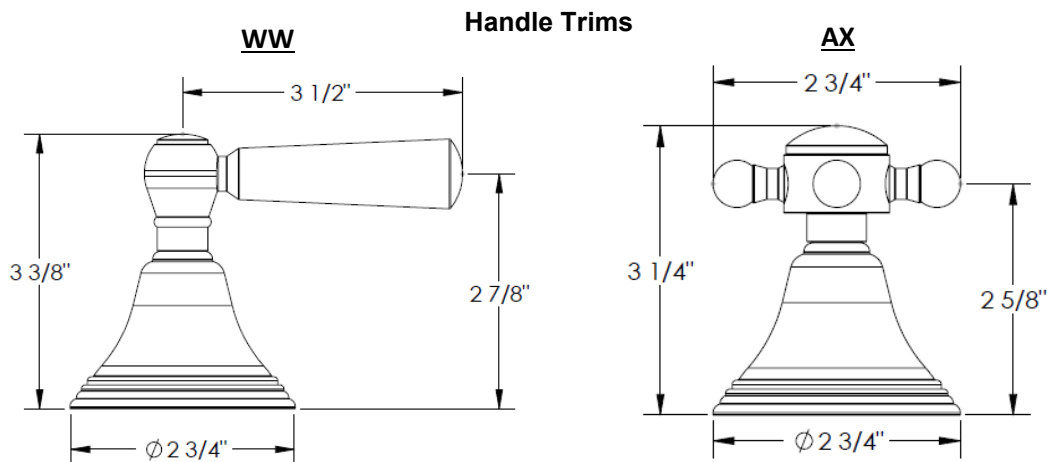
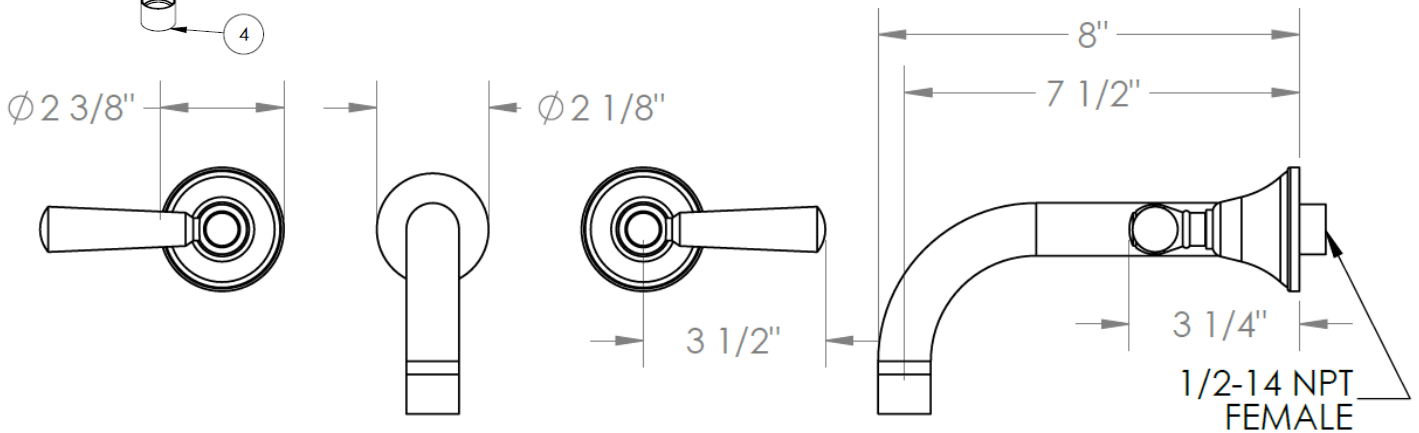
### FEATURES

- ¼ turn washerless ceramic disc valve cartridges
- Flow rate 1.2 gpm (4.5 lpm) maximum flow rate
- Solid brass construction (Lead free brass spout)
- Warranty:
  - Limited lifetime warranty (residential use)
  - One year (commercial use)



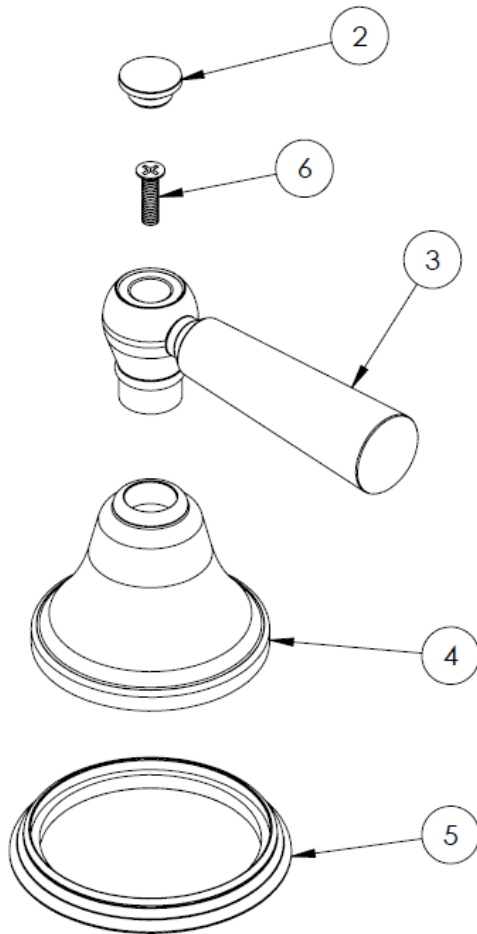
| ITEM NO. | PART NUMBER                          | QTY. |
|----------|--------------------------------------|------|
| 1        | TBSPT-22-SPT                         | 1    |
| 2        | 34-2.2-SPT-BASE                      | 1    |
| 3        | TBSPT-24-AERTR-ADAP                  | 1    |
| 4        | TBSPT-24-AERTR-SHLL-FR               | 1    |
| 5        | NEOPERL PCA PL STD                   | 1    |
| 6        | BW.7134.1 (.825 x .590 x .072) [STD] | 1    |
| 7        | SS-TS200-NPPL                        | 2    |
| 8        | SS-TS150-PKNG-NUT                    | 2    |
| 9        | CRT503 Cold/Hot                      | 2    |
| 10       | SS-TS200 BODY                        | 2    |

Suggested distance from tip of valve stem to finish wall is 2-3/8".



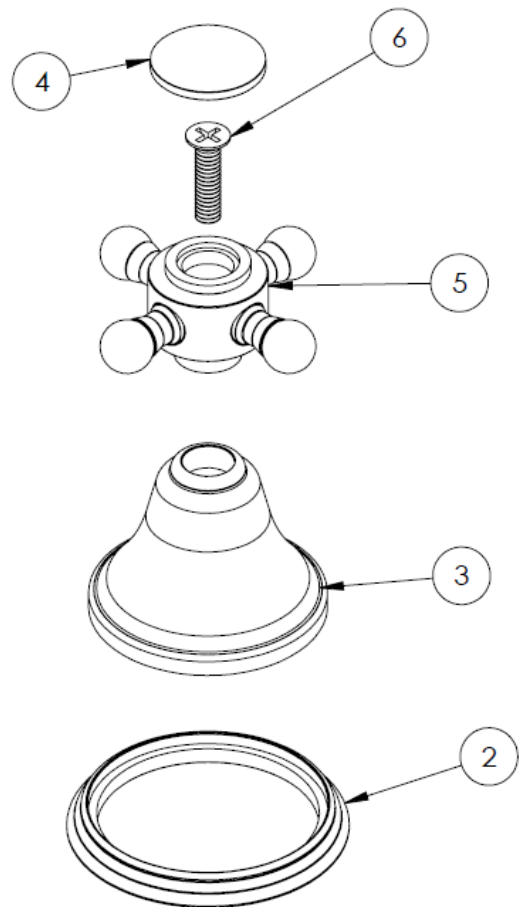
### Handle Trim Code: WW

| ITEM NO. | PART NUMBER                    | QTY. |
|----------|--------------------------------|------|
| 2        | A-POST-CAP                     | 1    |
| 3        | STA-LVR                        | 1    |
| 4        | A-ESC                          | 1    |
| 5        | A-ESC-RING                     | 1    |
| 6        | CR-FHM1 0.164-32x0.625x0.625-S | 1    |



### Handle Trim Code: AX

| ITEM NO. | PART NUMBER           | QTY. |
|----------|-----------------------|------|
| 2        | A-ESC-RING            | 1    |
| 3        | A-ESC                 | 1    |
| 4        | SA2-POST-CAP          | 1    |
| 5        | X-POST                | 1    |
| 6        | CR-FHM1 0.25-20x1x1-S | 1    |



#### **IMPORTANT INSTALLATION INFORMATION**

- USE TEFLON TAPE OR PIPE SEALANT FOR THREADED CONNECTIONS.
- DO NOT USE PLUMBER'S PUTTY ON ANY OF THE BRASS COMPONENTS  
This will cause the finish to tarnish and void the warranty. A non-corrosive Alkoxy Silicone is recommended.
- DURING SWEATING OF LINES DO NOT OVERHEAT CASTING.  
Overheating may cause damage to internal mechanism.
- COPPER ADAPTERS MAY BE REQUIRED TO COMPLETE YOUR INSTALLATION.

**For technical support, please call 888-401-1900.**