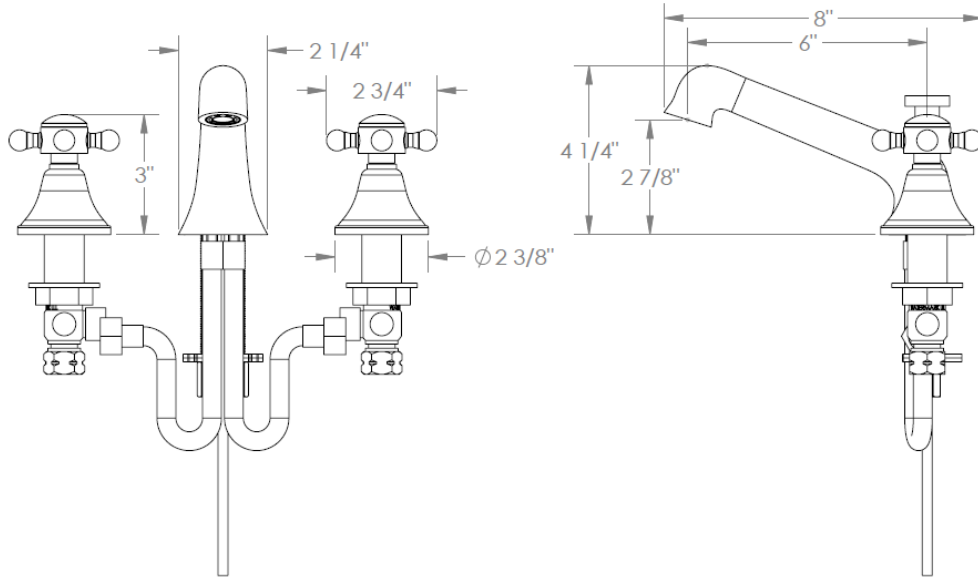


### FEATURES

- ¼ turn washerless ceramic disc valve cartridges
- Flexible hose connection for 8" to 16" spread installations
- Flow rate 1.25gpm (4.7lpm) maximum flow rate
- Solid brass construction
- Warranty:
  - Limited lifetime warranty (residential use)
  - One year (commercial use)
- Shipping weight (lbs.) 10
- Shipping dimensions (in.): 29x12x4



ITEM NO.	PART NUMBER	QTY.
1	33-2-SPT-2H	1
2	SPT-MNTNG-KIT-2-RBBR-WSHR	1
3	SPT-MNTNG-KIT-2-WSHR	1
4	SPT-MNTNG-KIT-1-NUT	2
5	SPT-MNTNG-KIT-1-SCRW	2
6	501-LIFT-ROD-CUSTOM-KB-2062	1
7	NEOPERL CACHE PCA JR	1
8	SPPLY-HOSE-0.5-14-NPS	1
9	SPPLY-HOSE-0.5-14-NPS	1
10	KB-242	1
11	CRT-502 (HOT)	1
12	CRT-502 (COLD)	1
13	SS-502-VALVE-BODY	2
14	502-PLSTC-LOCK-NUT	2
15	502-COMP-NUT	2
16	AS568 - 32	1

## HANDLE TRIM

CODE: AX		ITEM NO.	PART NUMBER	QTY.
	2	A-ESC-RING	1	
	3	A-ESC	1	
	4	SA2-POST-CAP	1	
	5	X-POST	1	
	6	CR-FHM1 0.25-20x1x1-S	1	
	CODE: WW		ITEM NO.	PART NUMBER
	2	A-POST-CAP	1	
	3	S1A-LVR	1	
	4	A-ESC	1	
	5	A-ESC-RING	1	
	6	CR-FHM1 0.164-32x0.625x0.625-S	1	

### **IMPORTANT INSTALLATION INFORMATION**

- USE TEFLON TAPE OR PIPE SEALANT FOR THREADED CONNECTIONS
- DO NOT USE PLUMBER'S PUTTY ON ANY OF THE BRASS COMPONENTS  
This will cause the finish to tarnish and void the warranty. A non-corrosive Alkoxy Silicone is recommended.
- DURING SWEATING OF LINES DO NOT OVERHEAT CASTING  
Overheating may cause damage to internal mechanism
- COPPER ADAPTORS MAY BE REQUIRED TO COMPLETE YOUR INSTALLATION

**For technical support, please call 888-401-1900**