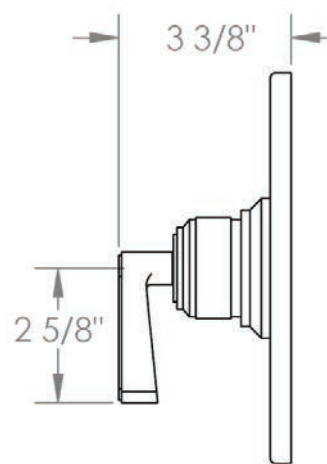
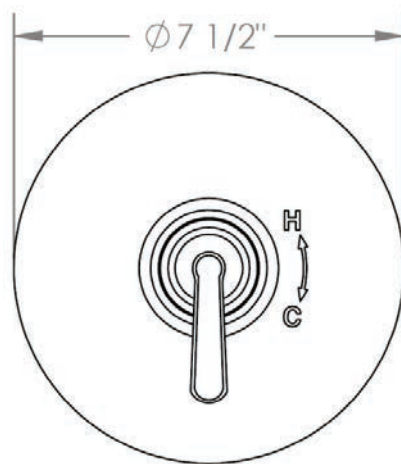


Colin



ORW-29-P80-_-

TRIM KIT ONLY FOR PRESSURE BALANCE VALVE
REQUIRES ORW-SS-PB75 CONCEALED ROUGH



Meets the applicable requirements of ASME A112.18.1-2005/CSA B125.1-05, entitled "Plumbing Supply Fittings"

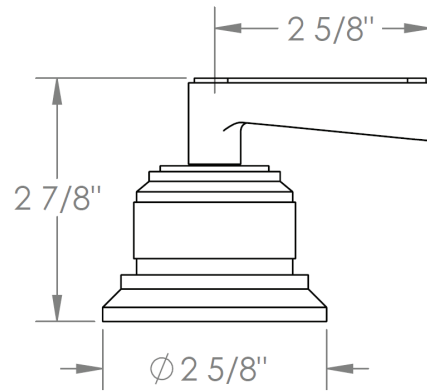
Colin

ORW-29-P80-

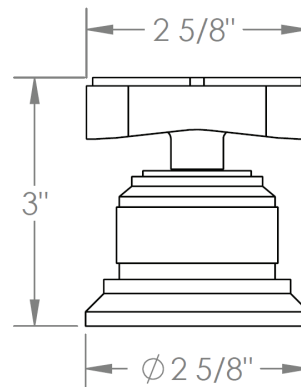


HANDLE TRIM OPTIONS

TR14 - BEEKMAN



TR15 - GOTHAM



Meets the applicable requirements of ASME A112.18.1-2005/CSA B125.1-05, entitled "Plumbing Supply Fittings"