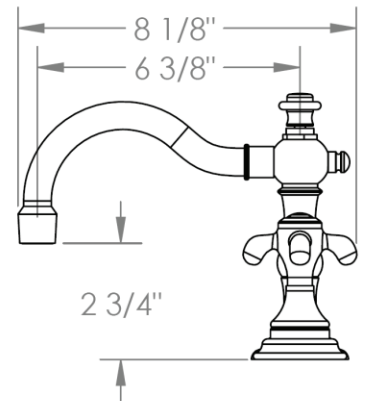
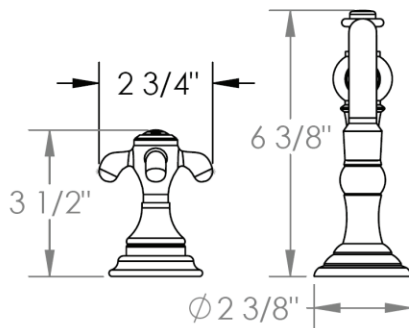


Claire

ORW-CL-2-CLR6



DECK MOUNTED 3 HOLE LAVATORY SET INCLUDES
ORW-MPU7 POP-UP DRAIN
FLOW RATE: 1.2 GPM



Meets the applicable requirements of ASME A112.18.1-2005/CSA B125.1-05, entitled "Plumbing Supply Fittings"