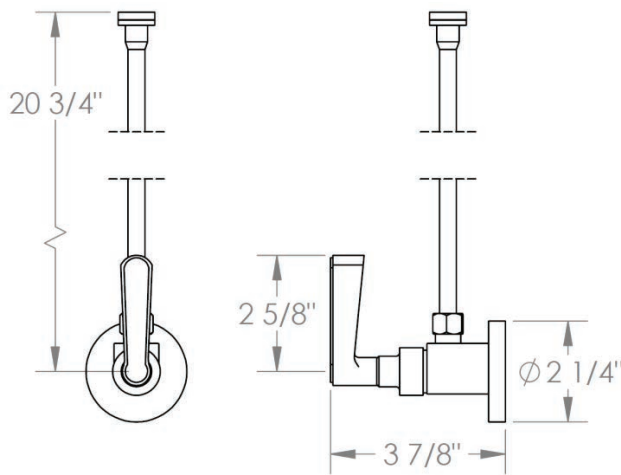


Colin



ORW-29-MAS6-

TOILET ANGLE STOP KIT
 1/2" IPS X 3/8" OD COMPRESSION



Meets the applicable requirements of ASME A112.18.1-2005/CSA B125.1-05, entitled "Plumbing Supply Fittings"

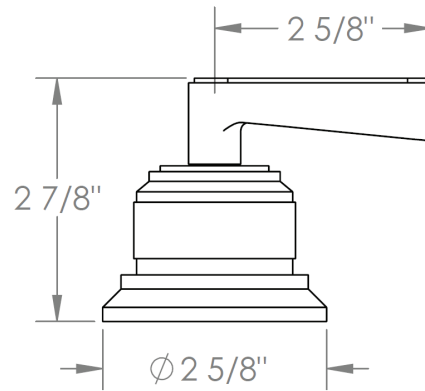
Colin

ORW-29-MAS2-

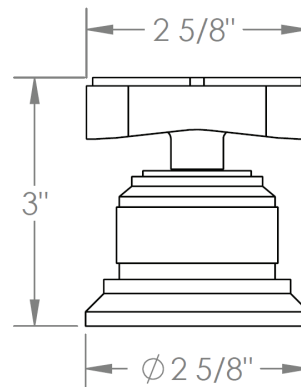


HANDLE TRIM OPTIONS

TR14 - BEEKMAN



TR15 - GOTHAM



Meets the applicable requirements of ASME A112.18.1-2005/CSA B125.1-05, entitled "Plumbing Supply Fittings"