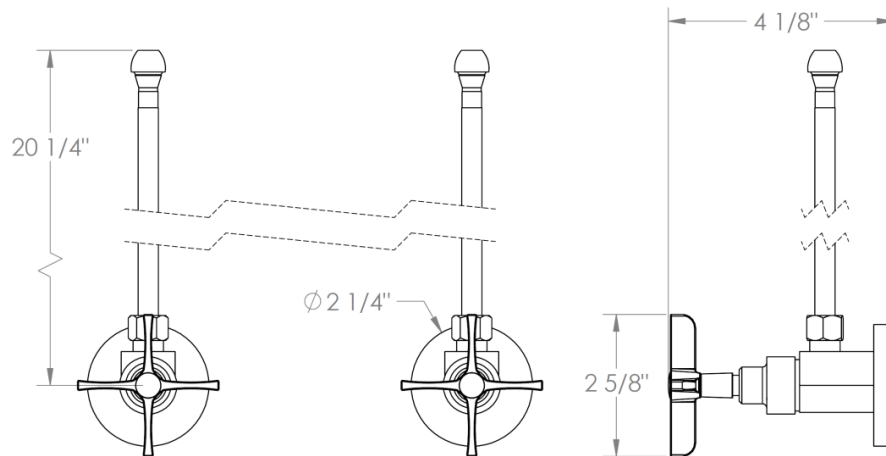


Crosby

ORW-115-MAS2-_-

O|R

LAVATORY ANGLE STOP KIT
 1/2" IPS X 3/8" OD COMPRESSION



Meets the applicable requirements of ASME A112.18.1-2005/CSA B125.1-05, entitled "Plumbing Supply Fittings"

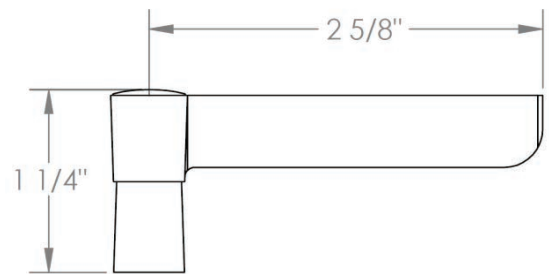
Crosby

ORW-115-MAS6-_-

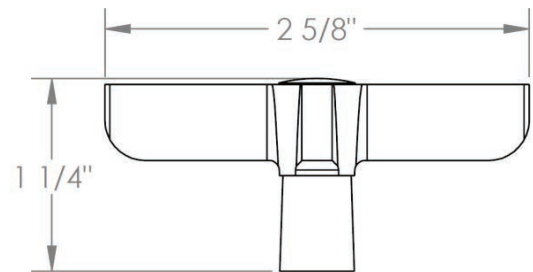
O|R

HANDLE TRIM OPTIONS

MZ4.1K



MZ5.1K



Meets the applicable requirements of ASME A112.18.1-2005/CSA B125.1-05, entitled "Plumbing Supply Fittings"