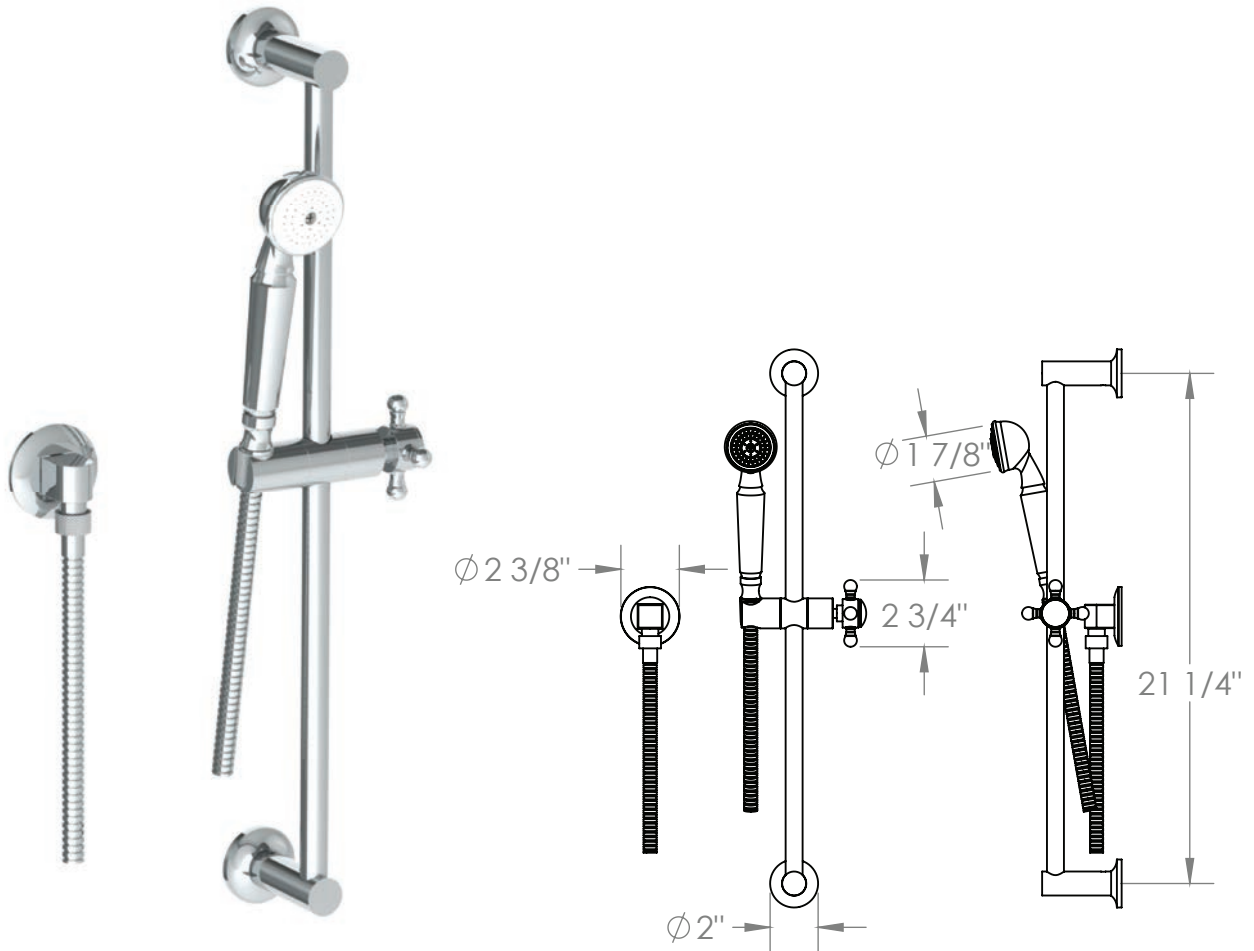


Sydney

ORW-34-HSPB1-



POSITIONING BAR SHOWER KIT WITH HAND SHOWER AND 69" HOSE
 FLOW RATE: 1.75 GPM



Meets the applicable requirements of ASME A112.18.1-2005/CSA B125.1-05, entitled "Plumbing Supply Fittings"

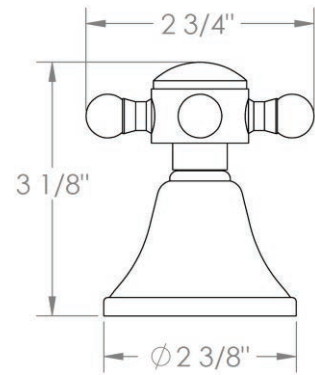
Sydney

ORW-34-HSPB1-_-

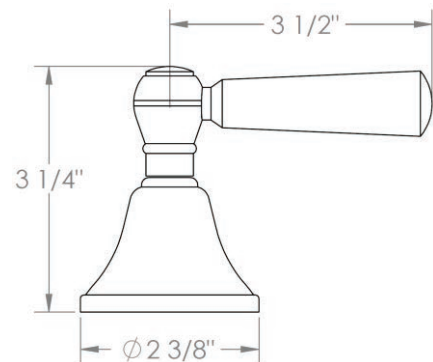


HANDLE TRIM OPTIONS

AX –L OS ANGELES



WW – BOSTON



Meets the applicable requirements of ASME A112.18.1-2005/CSA B125.1-05, entitled "Plumbing Supply Fittings"