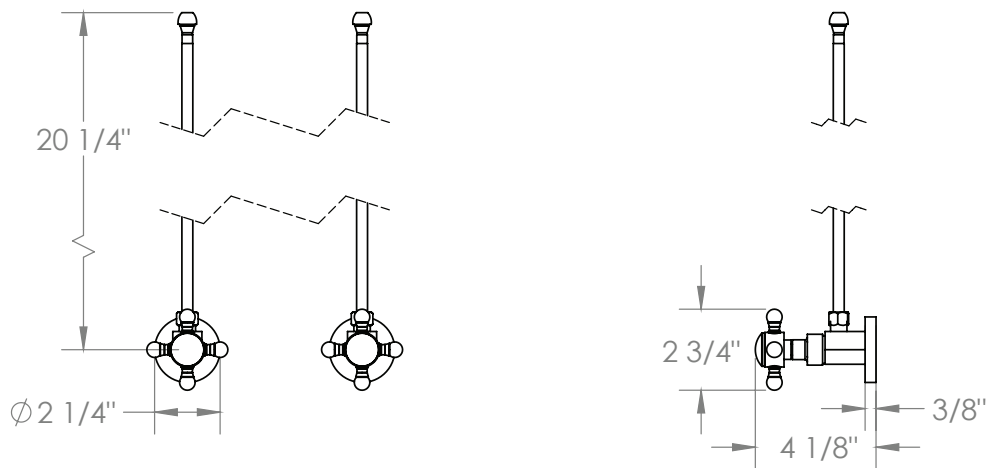


# Sydney

ORW-34-MAS2-  



LAVATORY ANGLE STOP KIT  
1/2" IPS X 3/8" OD COMPRESSION



Meets the applicable requirements of ASME A112.18.1-2005/CSA B125.1-05, entitled "Plumbing Supply Fittings"

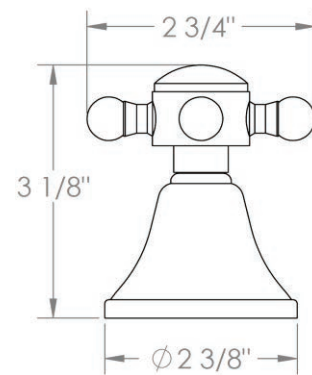
# Sydney

ORW-34-MAS2-  

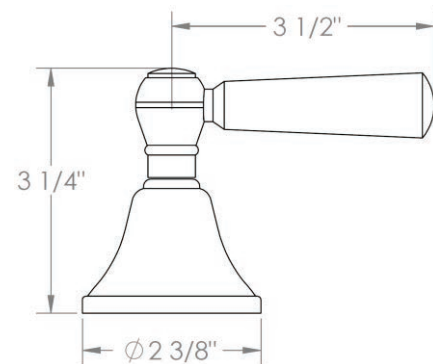


LAVATORY ANGLE STOP KIT  
1/2" IPS X 3/8" OD COMPRESSION

AX – L OS ANGELES



WW – BOSTON



Meets the applicable requirements of ASME A112.18.1-2005/CSA B125.1-05, entitled "Plumbing Supply Fittings"