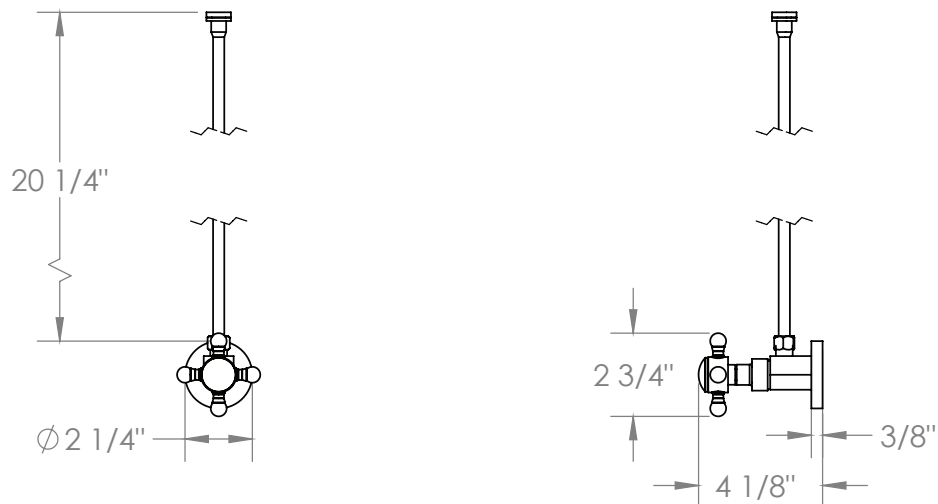


# Sydney

ORW-34-MAS6-\_-



TOILET ANGLE STOP KIT  
 1/2" IPS X 3/8" OD COMPRESSION



Meets the applicable requirements of ASME A112.18.1-2005/CSA B125.1-05, entitled "Plumbing Supply Fittings"

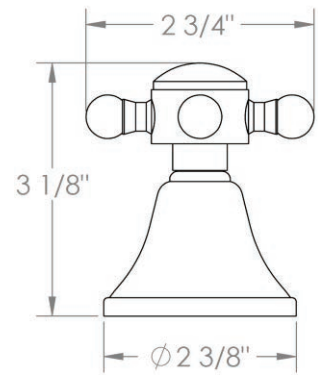
# Sydney

ORW-34-MAS6-  

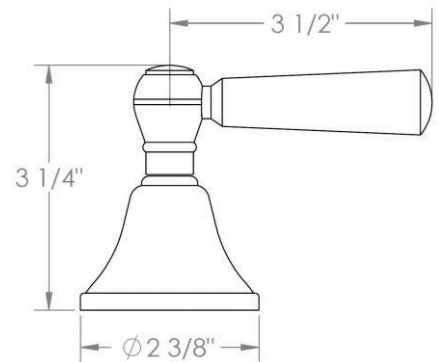


## HANDLE TRIM OPTIONS

AX – L OS ANGELES



WW – BOSTON



Meets the applicable requirements of ASME A112.18.1-2005/CSA B125.1-05, entitled "Plumbing Supply Fittings"