

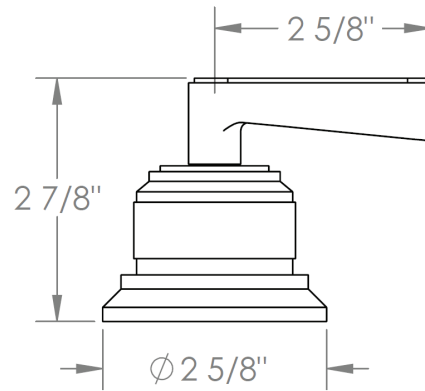
Colin



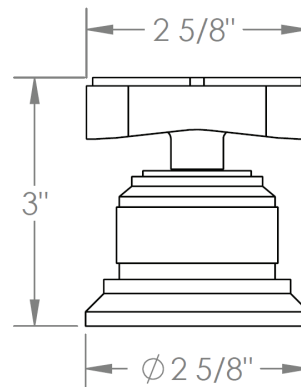
ORW-29-8.3-_-

HANDLE TRIM OPTIONS

TR14 - BEEKMAN



TR15 - GOTHAM



Meets the applicable requirements of ASME A112.18.1-2005/CSA B125.1-05, entitled "Plumbing Supply Fittings"