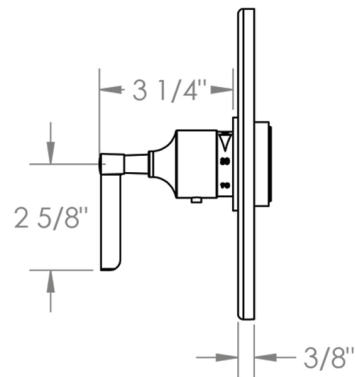
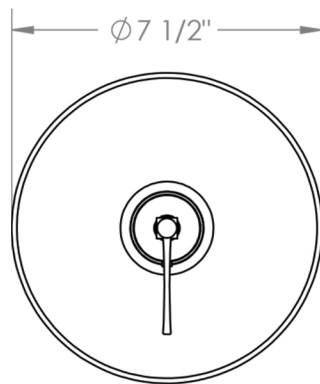


Crosby

ORW-115-T10-MZ4.1K



Wall Mounted Thermostatic Shower Trim
 For use with ORW-SS-TH1000 or ORW-SS-TH3000 rough



Meets the applicable requirements of ASME A112.18.1-2005/CSA B125.1-05, entitled "Plumbing Supply Fittings"