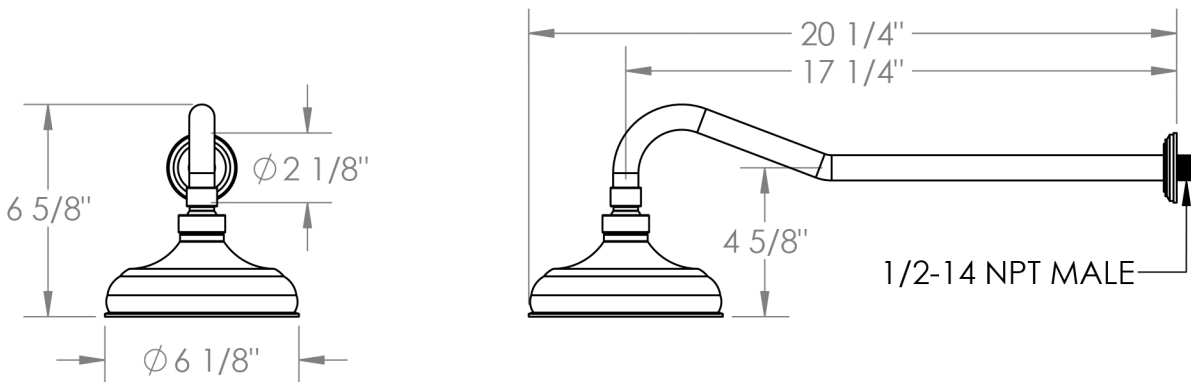


# Colin



**ORW-29-HAF.1**

Wall Mounted Showerhead with 17 1/2" Arm & Flange  
 Supply Connection Type: 1/2" NPT Male  
 Flow Rate: 1.75 GPM



Meets the applicable requirements of ASME A112.18.1-2005/CSA B125.1-05, entitled "Plumbing Supply Fittings"