

Morgan

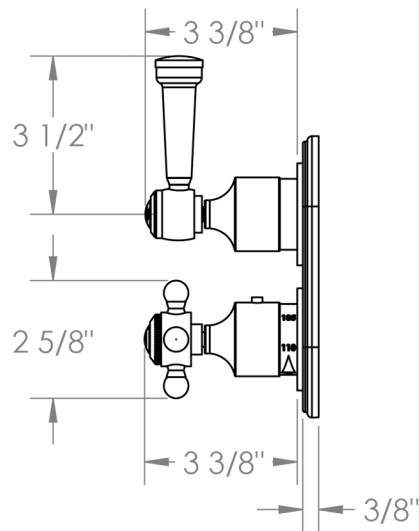
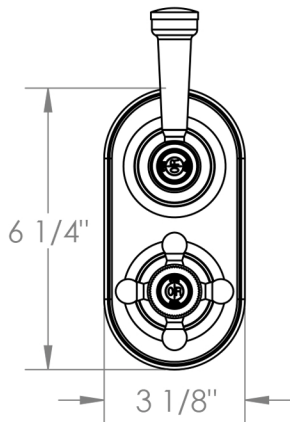


ORW-MG-T25-MR4

Wall Mounted Thermostatic Shower Trim with Built-In Control
 For use with ORW-SS-TH60 or ORW-SS-TH70 concealed rough



USE WITH ORW-SS-TH80
 3-WAY DIVERTER



Meets the applicable requirements of ASME A112.18.1-2005/CSA B125.1-05, entitled "Plumbing Supply Fittings"