

Allay



OR-TUB-ALLAY6632-G

SIZE:
66" x 32" x 27 1/2"

WATER CAPACITY:
76 Gallons

WEIGHT:
275 Pounds

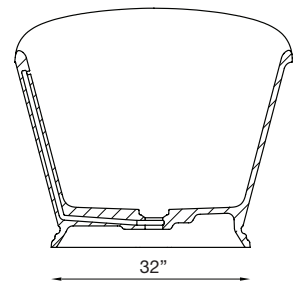
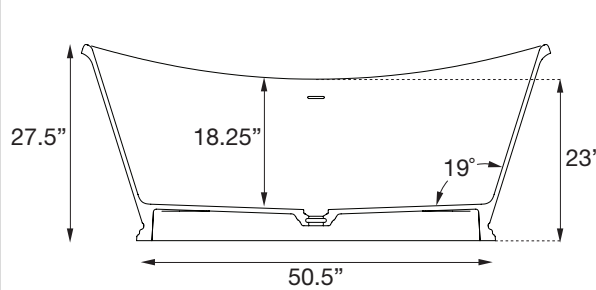
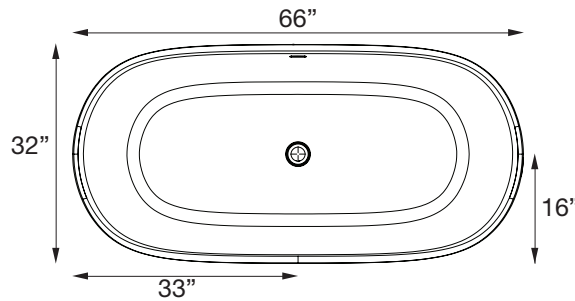
BACK SLOPE:
19°

MATERIAL:
3/4 - 1 1/4 " Nominal Thickness
Mineral Composite

FINISH:
Gloss

WARRANTY:
10 Year Warranty.

- FEATURES:**
- Integral linear slot overflow.
 - Linear overflow and drain comes standard in color match to tub, unless specified otherwise
 - Bathtub available in white gloss
 - Surface is antibacterial



All specifications and options subject to change without notice please contact a Renaissance Tile & Bath representative for more information.

**INSTALLER - Please pass these
IMPORTANT instructions along
to the homeowner!**

O'NEIL RUPPEL
Luxury Bath Fittings and Bespoke Faucetry

Freestanding Luxury Bathtubs

PRODUCT INFORMATION

Instructions pertaining to a risk of fire, electric shock, or injury to persons.

WARNING: When using your O'Neil Ruppel tub, basic precautions should be followed. This product can expose you to chemicals including styrene, which is known to the State of California to cause cancer. For more information, go to www.P65Warnings.ca.gov.

READ AND FOLLOW ALL INSTRUCTIONS.

1. **DANGER:** To reduce the risk of injury, do not permit children to use this unit unless they are closely supervised at all times.
2. Use this unit only for its intended use as described in this manual. Do not use attachments not recommended by the manufacturer.
3. Never drop or insert any object into any opening.
4. Do not operate this unit without the cover over the suction fitting.
5. The unit must be connected only to a dedicated electrical supply circuit that is protected by a Ground Fault Circuit Interrupter (GFCI). The GFCI must be provided by the installer and should be tested on a routine basis by the homeowner. To test the GFCI push the test button. The GFCI should interrupt power. Push the RESET button. Power should be restored. If the GFCI fails to operate in this manner there is a ground current flowing, indicating the possibility of an electric shock. Do not use the tub. Disconnect the power and have the problem corrected by a qualified service representative. Re-test the GFCI, only when it is operating properly may the whirlpool tub be used.
6. A terminal is provided on the exterior of most equipment. To reduce the risk of electric shock, connect this terminal to the grounding terminal of your electric service or supply panel with a conductor equivalent in size to the circuit conductors supplying this equipment.

Save These Instructions

INSTALLATION INSTRUCTIONS

- Read all instructions before proceeding with installation.
- Inspect the tub before installation. If any damage or defects are found, do not install the tub. If the tub is not the right size, model or color do not install the tub. Contact your Renaissance Tile & Bath showroom.
- **INSTALLATION OF AN O'NEIL RUPPEL BATHTUB MUST MEET ALL APPLICABLE CODES AND REGULATIONS.**

IMPORTANT:

All tub and systems are thoroughly tested and inspected at the factory prior to shipment. However, it is possible for damage to occur during shipment and installation. Such damage is not always readily visible. To maintain the warranty, it is important to water test the tub, integral overflow and thermal system a minimum of 30 minutes for leaks during rough inspection before enclosing the tub. Renaissance Tile & Bath is not responsible for the cost to remove/reinstall a tub.

USER MAINTENANCE INSTRUCTIONS

CARE AND CLEANING

To assure a long lasting “like new” look on your O’Neil Ruppel Collection bathtub we recommend the following easy care procedures:

- 1) For normal maintenance, especially after use, clean with a soft cloth or sponge and a mild soap or liquid detergent.
- 2) DO NOT USE abrasives such as scouring compounds, scouring pads, steel wool or harsh chemicals on your O’Neil Ruppel bathtub. For deeper stains, hard scale deposits or any other cleaning or maintenance problem, contact your O’Neil Ruppel dealer.

CLEANING INSTRUCTIONS

The O’Neil Ruppel Tubs are manufactured from High-Quality Stonite™, a blend of both organic minerals and the best in engineered composites. This blend combines a cast acrylic polymer for its benefits in durability and bonding strength, and ATH which is derived from Bauxite Ore. Bauxite is an aluminum ore, found mostly in tropical regions, and is the main source of aluminum. ATH is also natural fire-retardant. The nonporous surface is able to prevent dirt from gathering and withstands stains better than the other materials. To keep this high quality look on your O’Neil Ruppel tub, please follow these instructions:

MATTE FINISH

- Remove dust with a soft damp cloth, for example; microfiber or calico cloths.
- Clean surface with water and any mild detergent or dish soap.
- For a more difficult stain such as oil, paint, ink or grease clean with rubbing alcohol and dry with a soft cloth.
- Please do not use any sharp objects because that might result in scratching the surface of the tub.
- Use 180 grit wet/dry sandpaper and clean it with a soft scrub.

GLOSS FINISH

- Clean with mild dish soap and water, any non abrasive product to clean high-gloss counter surfaces will work.
- Remove dust with a soft damp cloth, for example; microfiber or calico cloths.
- Clean oil, paint, ink or grease with rubbing alcohol and dry with a soft cloth.
- Avoid using abrasive cleaners, it is not safe to use these on your glossed product.
- Please do not use any sharp objects because that might result in scratching the surface of the tub.

Please do not use anything else other than what was instructed. Improper use can result in damage to the tub or its finish and may void the warranty. Keep in mind, if you do end up damaging the tub, scratches can usually be removed, buffed or polished out by an Authorized Renaissance Tile & Bath Service Agent.

LIMITED WARRANTY

This limited warranty is extended to the first user or the original retail purchaser for a period of Ten (10) Years on the Bathtub, 5 Years on Electronics and 2 years on the air channel, plumbing, and labor to replace electronics or any other repair that is covered from date of purchase, and is not enforceable by any other party. RENAISSANCE TILE & BATH, INC. warrants that the system and/or bathtub is free from defects in the workmanship and/or materials.

This limited warranty does not include any other items not manufactured by RENAISSANCE TILE & BATH, INC. RENAISSANCE TILE & BATH, INC. does not assume liability for the finish or the wearing quality of any plated product. No dealer or other person has any authority to make any warranties or representations concerning RENAISSANCE TILE & BATH, INC. or its products.

Accordingly, RENAISSANCE TILE & BATH, INC. is not responsible for any such warranties or representations. THERE ARE NO WARRANTIES BEYOND THE DESCRIPTION ON THE FACE HEREOF. NO WARRANTY OF MERCHANTABILITY, FITNESS, NOR OTHER WARRANTY (WHETHER EXPRESS, IMPLIED OR STATUTORY) IS MADE BY RENAISSANCE TILE & BATH, INC., EXCEPT THAT IT WARRANTS THE GOODS TO BE FREE FROM DEFECTS IN MATERIALS AND WORKMANSHIP IN NORMAL USE AND SERVICE AS DESCRIBED ON THE FACE HEREOF.

WARRANTY OBLIGATIONS OF RENAISSANCE TILE & BATH, INC.:

Should a defect in workmanship and/or material in any item covered by this warranty become evident during the term of the warranty, then upon the consumer following the procedures set forth below, RENAISSANCE TILE & BATH, INC. at its opinion, will repair or replace such item at its own cost and expense. RENAISSANCE TILE & BATH, INC. is not, however, responsible under this warranty for any cost of shipping or transportation or the equipment or parts thereof to or from the Service Department. Also, RENAISSANCE TILE & BATH, INC. is not liable for any loss of time, inconvenience, incidental expenses such as telephone calls, labor or material charges incurred in connection with the removal or the replacement of the equipment, or any other incidental or consequential damages, unless otherwise prohibited by applicable State law.

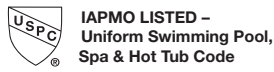
PROCEDURES TO BE FOLLOWED TO OBTAIN WARRANTY SERVICE:

- 1) Upon discovery of any defect or malfunction, notify the supplier/installer and RENAISSANCE TILE & BATH, INC. Service Department, 29132 Avenue Paine, Valencia, Ca. 91355 Telephone: (661) 775-0686, within (10) ten days and include a description of the malfunction or defect, the O'Neil Ruppel distributors name and purchase order number or the 5 digit bathtub serial number. The bathtub serial number can be found on the warranty card or on the model card located on the underside of the bathtub.
- 2) Upon inspection, RENAISSANCE TILE & BATH, INC. at its option will repair or replace any defective or malfunctioning part of its system or bathtub. If repairs cannot be made on site, RENAISSANCE TILE & BATH, INC. at its opinion will repair or replace at the factory. However, the cost of removal or installation of a replacement system and cost of transportation to and from RENAISSANCE TILE & BATH, INC. are not covered. All parts, labor and materials necessary to repair the system or bathtub are covered except parts excluded below.

EXCLUSIONS – THIS WARRANTY DOES NOT COVER:

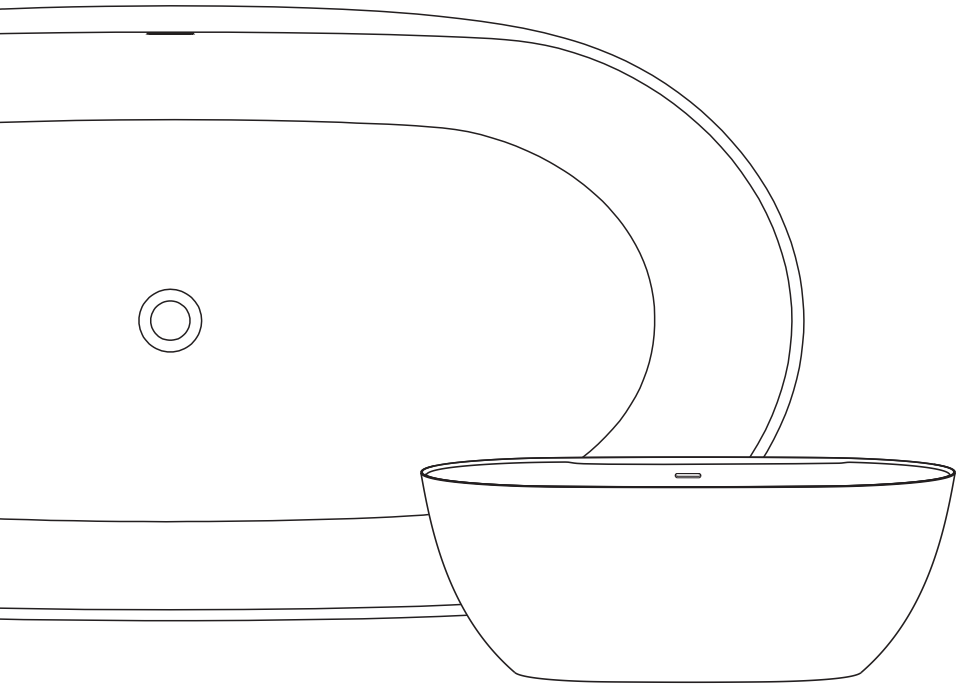
- 1) Any items manufactured by other companies and installed by RENAISSANCE TILE & BATH, INC. such items may carry warranties offered by the manufactures of the original items.
- 2) Problems resulting from failure to comply with installation instructions or drawings, or improper installation.
- 3) Problems resulting from abuse, misuse, negligence or accident by any party other than RENAISSANCE TILE & BATH, INC. such as, but not limited to, damage to parts by installers.
- 4) Problems resulting in whole or part from alteration or modification of these products by any party.
- 5) Metal failures due to chemical corrosion.

This warranty is provided to you as part of your purchase order. It gives you specific legal rights you should keep in a safe place along with your purchase order.



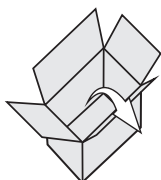
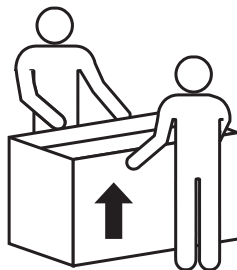
O'NEIL RUPPEL

Luxury Bath Fittings and Bespoke Faucetry

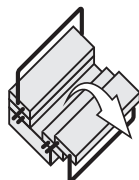
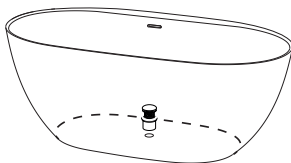


BATHTUBS
INSTALLATION INSTRUCTION

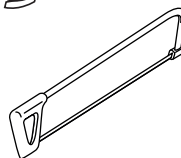
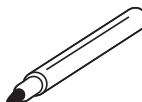
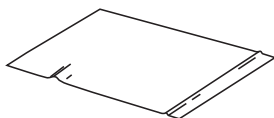
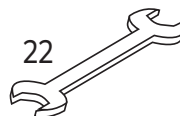
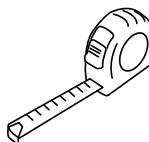
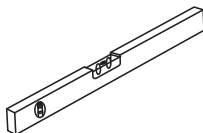
Installation instructions for qualified fitters. After the installation, please pass these instructions to the end-user. In case of a claim, the installation and disassembly costs shall not be covered by the warranty. The warranty shall be valid provided that the product has been installed in accordance with these instructions.



=



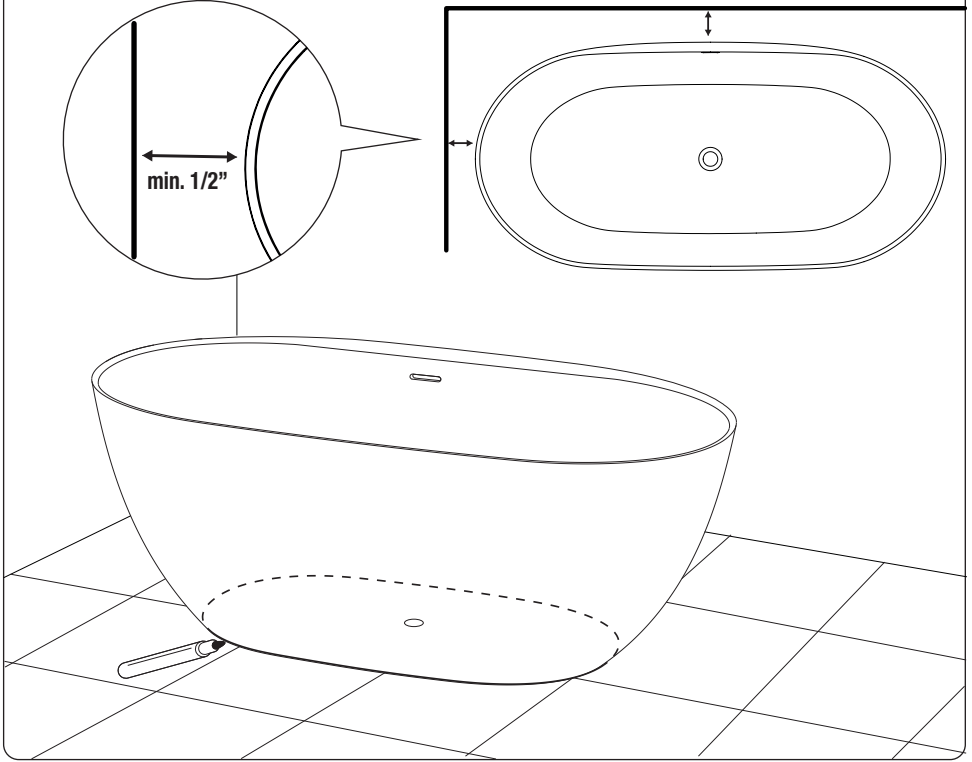
=



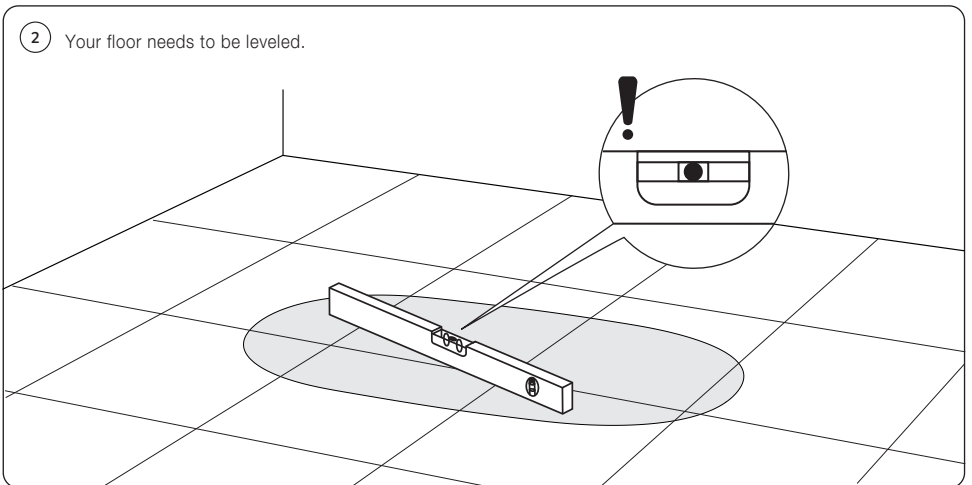
=



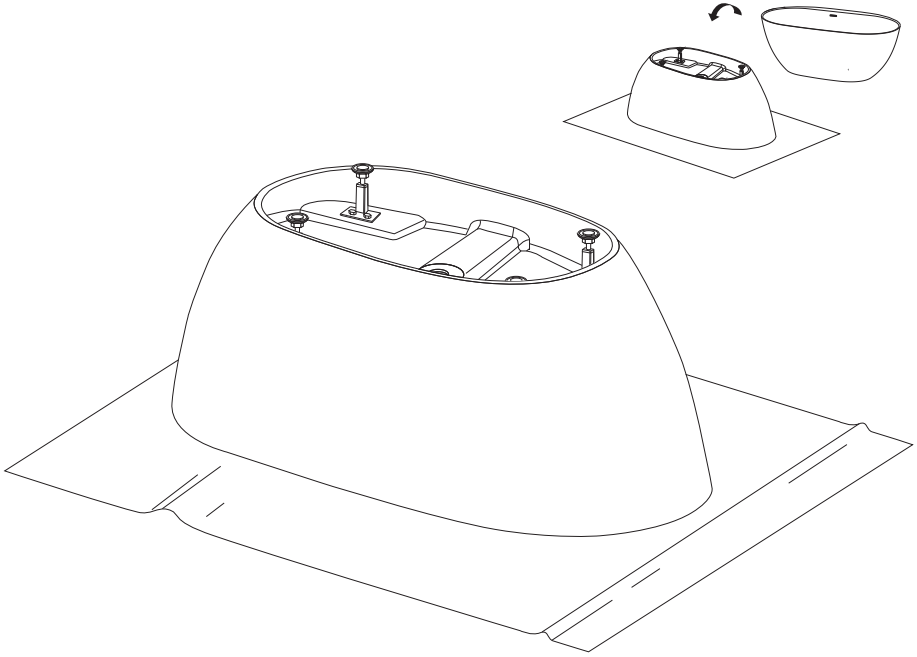
- 1 Set the tub in the desired location and mark the drain hole location on the floor. Then, move the tub away from the desired installation location so that the plumbing can be installed. Bathtub should be placed at least $\frac{1}{2}$ inch away from walls.



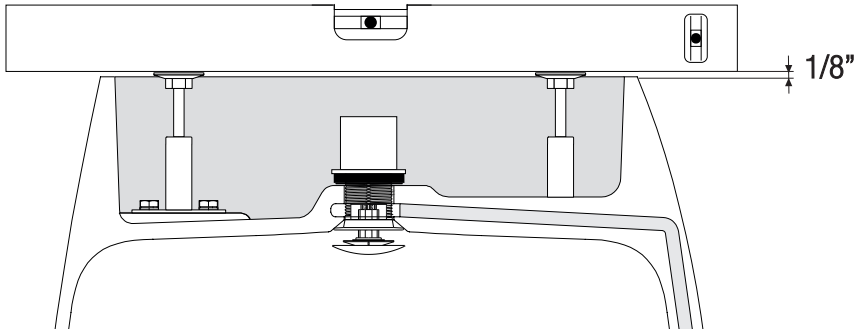
- 2 Your floor needs to be leveled.



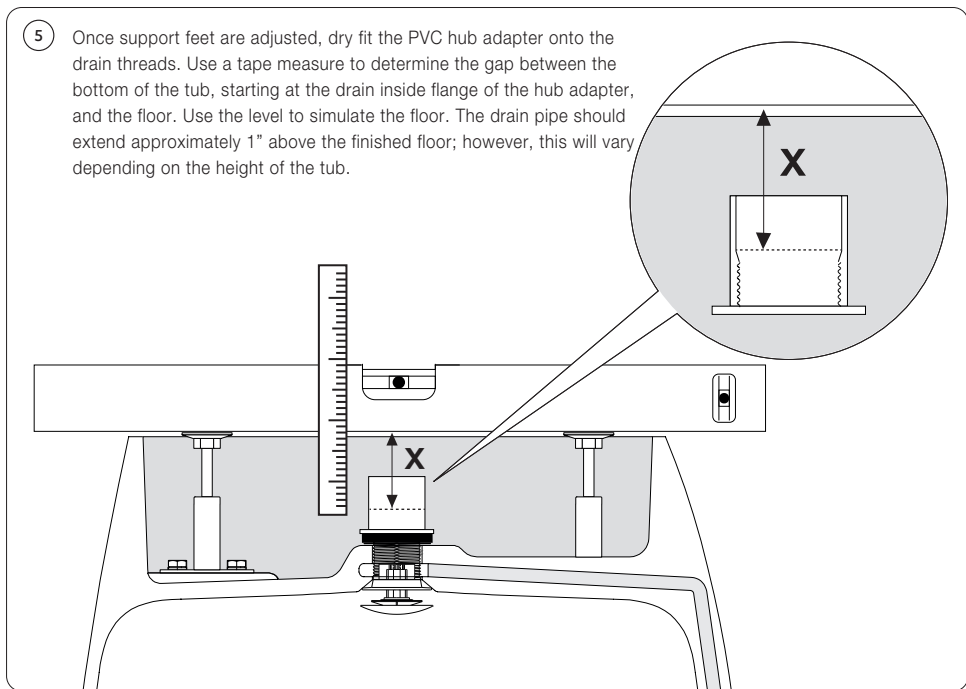
- 3 Turn bathtub upside down and rest it on a moving blanket, cardboard, or other soft surface to prevent scratching the rim. Use caution when turning the bathtub upside down, as the product may be heavy and may require assistance to rotate.



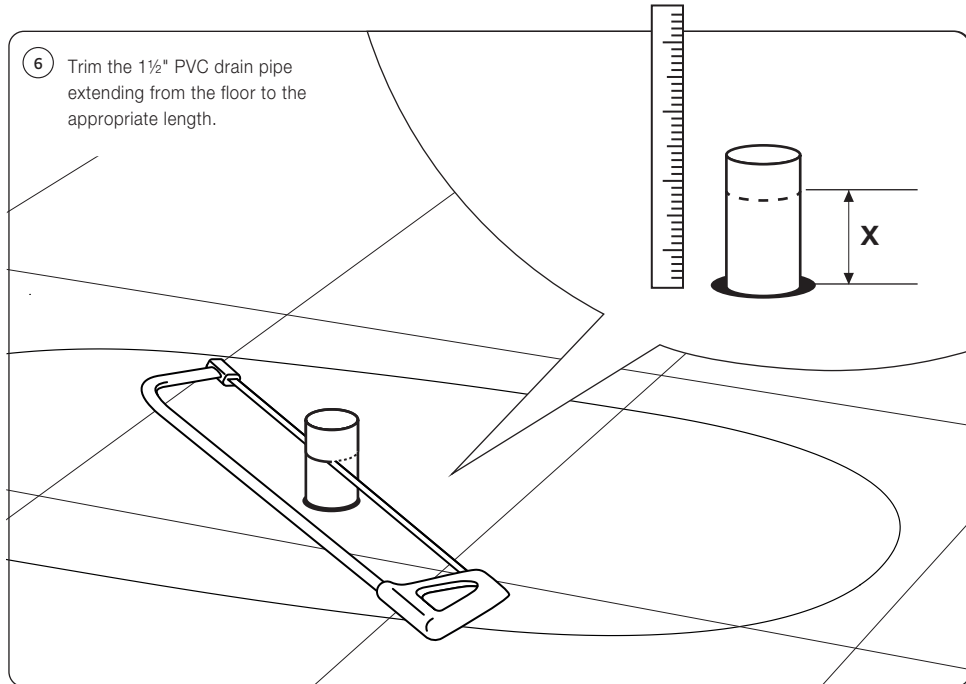
- 4 Place a level across the bottom of the tub to represent floor level. Raise adjustable leveling supports to touch level. Then, raise the support an additional 1/8" to ensure the bathtub is supported by the support feet and not by the tub walls.



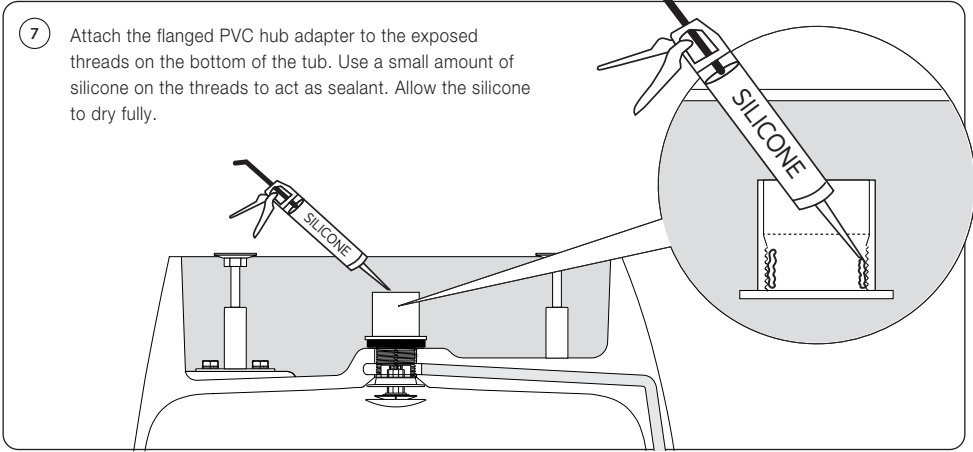
- 5 Once support feet are adjusted, dry fit the PVC hub adapter onto the drain threads. Use a tape measure to determine the gap between the bottom of the tub, starting at the drain inside flange of the hub adapter, and the floor. Use the level to simulate the floor. The drain pipe should extend approximately 1" above the finished floor; however, this will vary depending on the height of the tub.



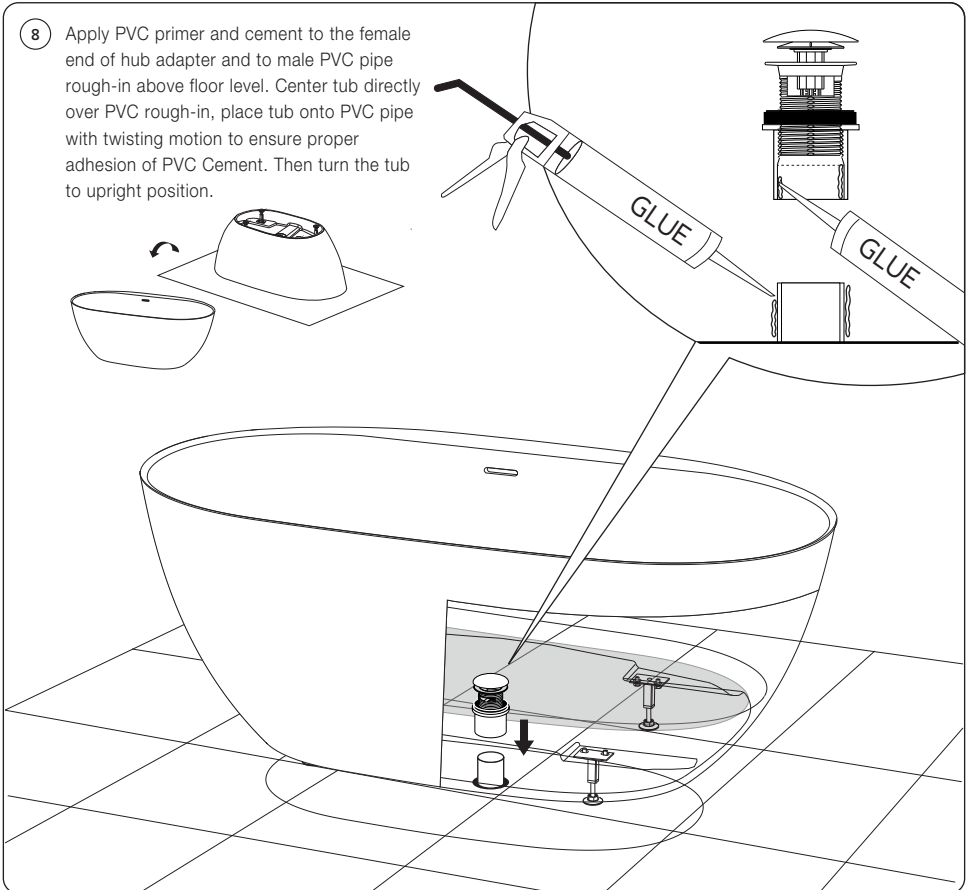
- 6 Trim the 1½" PVC drain pipe extending from the floor to the appropriate length.



- 7 Attach the flanged PVC hub adapter to the exposed threads on the bottom of the tub. Use a small amount of silicone on the threads to act as sealant. Allow the silicone to dry fully.



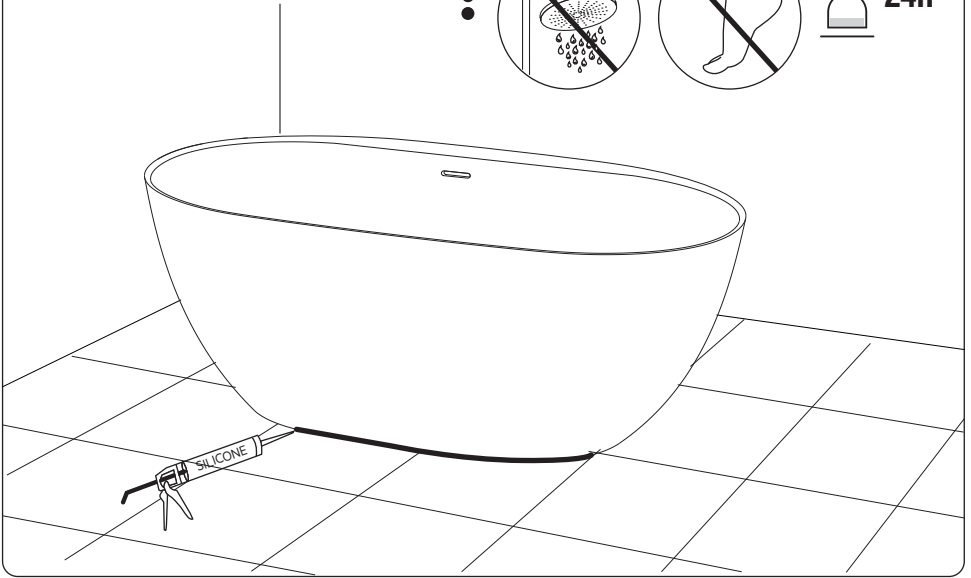
- 8 Apply PVC primer and cement to the female end of hub adapter and to male PVC pipe rough-in above floor level. Center tub directly over PVC rough-in, place tub onto PVC pipe with twisting motion to ensure proper adhesion of PVC Cement. Then turn the tub to upright position.



- 10 For aesthetic purposes you can finish your installation by running a bead of neutral cure silicone sealant around the base of the tub where it meets the floor but it's unnecessary for proper installation.



24h



103600000404